

# General Specifications

GS 01C25J03-11EN

EJX438A/Z  
Diaphragm Sealed  
Gauge Pressure Transmitter  
(Inner Diaphragm type)

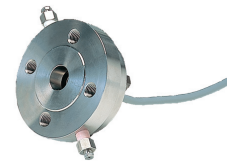


[Style: S2]

Diaphragm seal is used to prevent process medium from entering directly into the pressure-sensing assembly of the pressure transmitter, it is connected to the transmitter using capillary filled with fill fluid. Inner diaphragm type can be installed to small size frange which is 1 inch, 3/4 inch or 1/2 inch. And the performance is the same as 2 inch, because it is used the daiaphragm size same as 2 inch. EJX438A Diaphragm Sealed Gauge Pressure Transmitters can be used to measure liquid, gas, or steam pressure. EJX438A outputs a 4 to 20 mA DC signal corresponding to the measured pressure. It also features quick response, remote setup and monitoring via BRAIN or HART communications, and diagnostics and optional status output for pressure high/low alarm. The multi-sensing technology provides the advanced diagnostic function to detect such abnormality as an impulse line blockage. Foundation Fieldbus and PROFIBUS PA protocol types are also available. All EJX series models in their standard configuration, with the exception of the Fieldbus and PROFIBUS types, are certified by TÜV as complying with SIL 2 for safety requirement.



Flange connection type



Adapter connection type

## STANDARD SPECIFICATIONS

Refer to GS 01C25T02-01E for Fieldbus communication type and GS 01C25T04-01EN for PROFIBUS PA communication type for the items marked with “◇”.

### SPAN AND RANGE LIMITS

Measurement Span and Range	MPa	psi (D1)	bar (D2)	kgf/cm <sup>2</sup> (D4)	
A*1	Span	0.035 to 3.5	5 to 500	0.35 to 35	0.35 to 35
	Range	-0.1 to 3.5	-14.5 to 500	-1 to 35	-1 to 35
B*1	Span	0.16 to 16	23 to 2300	1.6 to 160	1.6 to 160
	Range	-0.1 to 16	-14.5 to 2300	-1 to 160	-1 to 160

\*1: Measurement range is within the flange rating.

### PERFORMANCE SPECIFICATIONS

Zero-based calibrated span, linear output, wetted parts material code S□, fill fluid code B, and capillary length of 5 m.

For Fieldbus and PROFIBUS PA communication types, use caribrated range instead of span in the following specifications.

#### Specification Conformance

EJX series ensures specification conformance to at least  $\pm 3\sigma$ .

### Reference Accuracy of Calibrated Span

(includes terminal-based linearity, hysteresis, and repeatability)

Measurement span	A	B	
Reference accuracy	X ≤ span	±0.15% of Span	
	X > span	±(0.1+0.005 URL/Span)% of Span	
X	0.35 MPa (50 psi)	1.6 MPa (230 psi)	
URL (upper range limit)	3.5 MPa (500 psi)	16 MPa (2300 psi)	

### Ambient Temperature Effects per 50°C (122°F) Change

Capsule	A and B
Zero shift	$\pm(0.2+0.42 \times \frac{X}{A})\%$
Total shift	$\pm(0.9+0.42 \times \frac{X}{A})\%$

T01.ai

'A' is the highest value among the absolute values of lower range value (LRV) and upper range value (URV), and the span value in calibration range.

### Power Supply Effects (Output signal code D, E and J)

±0.005% per Volt (from 21.6 to 32 V DC, 350 Ω)

### Response Time (All capsules) “◇”

200 ms (approximate value at normal temperature)  
When software damping is set to zero and including dead time of 45 ms (nominal)

**FUNCTIONAL SPECIFICATIONS**

**Output “◇”**

Two wire 4 to 20 mA DC output with digital communications. BRAIN or HART FSK protocol are superimposed on the 4 to 20 mA signal.

Output range: 3.6 mA to 21.6 mA

Output limits conform to NAMUR NE43 can be pre-set by option code C2 or C3.

**Failure Alarm (Output signal code D, E and J)**

Output status at CPU failure and hardware error;

Up-scale: 110%, 21.6 mA DC or more (standard)

Down-scale: -5%, 3.2 mA DC or less

Analog output status at process abnormality (Option code /DG6);

The result of process abnormality detected by the advanced diagnostic function can be reflected to an analog alert status. The following three setting modes are available.

		Mode		
		Burnout	Fall back	Off
Standard		110 %, 21.6mA or more	Holds to a specified value within the output range from 3.6mA to 21.6mA	Normal output
Option Code	/C1	-2.5%, 3.6mA or less		
	/C2	-1.25%, 3.8mA or less		
	/C3	103.1%, 20.5mA or more		

**Damping Time Constant (1st order)**

Amplifier damping time constant is adjustable from 0.00 to 100.00 s by software and added to response time.

Note: For BRAIN protocol type, when amplifier software damping is set to less than 0.5 s, communication may occasionally be unavailable during the operation, especially while output changes dynamically. The default setting of damping ensures stable communication.

**Update Period “◇”**

Pressure: 45 ms

**Zero Adjustment Limits**

Zero can be fully elevated or suppressed, within the lower and upper range limits of the capsule.

**External Zero Adjustment**

External zero is continuously adjustable with 0.01% incremental resolution of span. Re-range can be done locally using the digital indicator with range-setting switch.

**Integral Indicator (LCD display, optional) “◇”**

5-digit numerical display, 6-digit unit display and bar graph.

The indicator is configurable to display one or up to three of the following variables periodically.; Pressure in %, scaled pressure, measured pressure. See also “Factory Setting.”

**Local Parameter Setting (Output signal code D, E, and J)**

Parameter configuration by the external zero adjustment screw and push button (Integral indicator code E) offers easy and quick setup for parameters of Tag number, Unit, LRV, URV, Damping, Output mode (linear/square root), Display out 1, and Re-range by applying actual pressure (LRV/URV).

**Self Diagnostics**

CPU failure, hardware failure, configuration error, process alarm for pressure or capsule temperature. User-configurable process high/low alarm for pressure is also available, and its status can be output when optional status output is specified.

**Advanced Diagnostics (optional) “◇”**

Applicable for Output signal code E, J and F.

- Impulse line blockage detection

The impulse line condition can be calculated and detected by extracting the fluctuation component from the static pressure signal.

**Signal Characterizer (Output signal code D, E and J)**

User-configurable 10-segment signal characterizer for 4 to 20 mA output.

**Capillary Fill Fluid Density Compensation (Output signal code D, E and J)**

Compensation of the zero shift by the ambient temperature effect on the capillary tube.

**Status Output (optional, output signal code D, E and J)**

One transistor contact output (sink type) to output the status of user configurable high/low alarm for pressure.

Contact rating: 30 V DC, 120 mA DC max. Refer to ‘Terminal Configuration’ and ‘Wiring Example for Analog Output and Status Output.’

**SIL Certification**

EJX series transmitters except Fieldbus and PROFIBUS PA communication types are certified by TÜV in compliance with the following standards; IEC 61508: 2010; Part1 to Part 7

Functional Safety of Electrical/electronic/programmable electronic related systems; SIL 2 capability for single transmitter use, SIL 3 capability for dual transmitter use.

**NORMAL OPERATING CONDITION**

(Optional features or approval codes may affect limits.)

**Ambient Temperature Limits**

-40 to 60°C (-40 to 140°F)

-30 to 60°C (-22 to 140°F) with LCD display

(Note : The ambient temperature limits must be within the fill fluid operating temperature range, see table 1.)

**Process Temperature Limits**

See table 1.

**Ambient Humidity Limits**

0 to 100% RH

**Working Pressure Limits**

See table 1.

For atmospheric pressure or below, see figure 1-1, 1-2, 1-3, and 1-4.

**Table 1. Process temperature, Ambient temperature, and Working pressure**

	Code	Process temperature*1	Ambient temperature*2	Working pressure	Specific gravity*3
Silicone oil (general use)	A	-10 to 250°C (14 to 482°F)	-10 to 60°C (14 to 140°F)	2.7 kPa abs (0.38 psi abs) to flange rating pressure	1.07
Silicone oil (general use)	B	-30 to 180°C (-22 to 356°F)	-15 to 60°C (5 to 140°F)		0.94
Fluorinated oil (oil-prohibited use)	D	-20 to 120°C (-4 to 248°F)	-10 to 60°C (14 to 140°F)	51 kPa abs (7.4 psi abs) to flange rating pressure	1.90 to 1.92
Ethylene glycol (low temperature use)	E	-50 to 100°C (-58 to 212°F)	-40 to 60°C (-40 to 140°F)	100 kPa abs (atmospheric pressure) to flange rating pressure	1.09
Silicone oil (high temp. and high vacuum use)	1	-10 to 250°C (14 to 482°F)	-10 to 50°C (14 to 122°F)	0.013 kPa abs (0.0019 psi abs) to flange rating pressure	1.07
Silicone oil (high vacuum use)	4	-10 to 100°C (14 to 212°F)	-10 to 50°C (14 to 122°F)		1.07

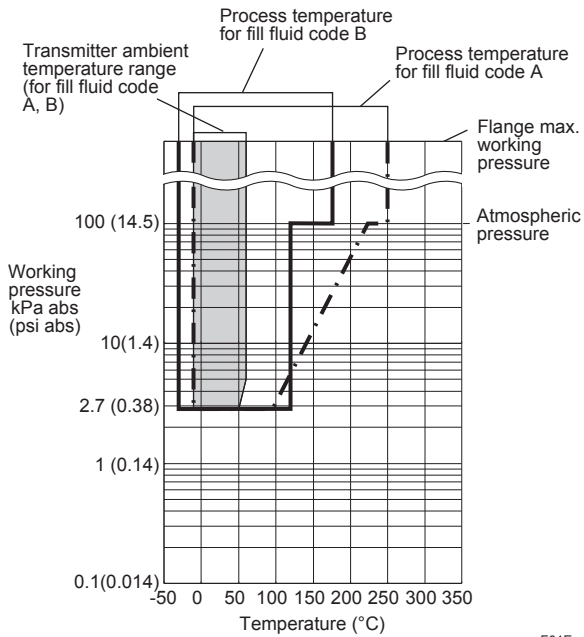
\*1: See figure 1-1, 1-2, 1-3, and 1-4 'Working Pressure and Process Temperature.'

\*2: This ambient temperature is the transmitter ambient temperature.

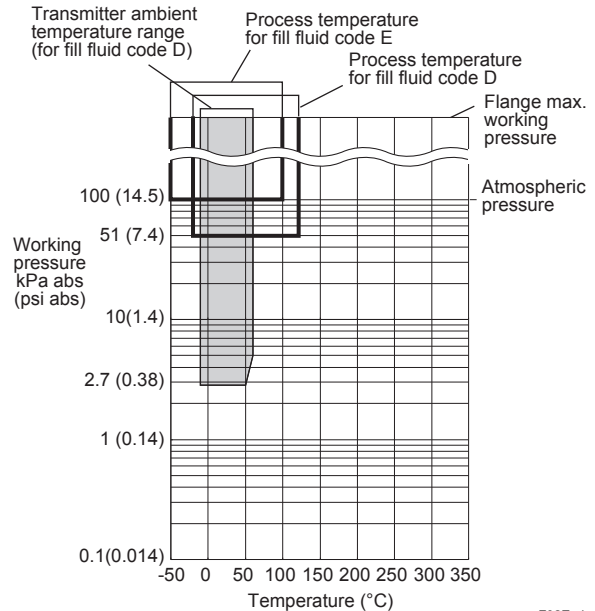
\*3: Approximate values at a temperature of 25°C (77°F)

Note: The differential pressure transmitter should be installed at least 600 mm below the high pressure (HP) process connection. However, this value (600 mm) may be affected by ambient temperature, operating pressure, fill fluid or material of the wetted diaphragm.

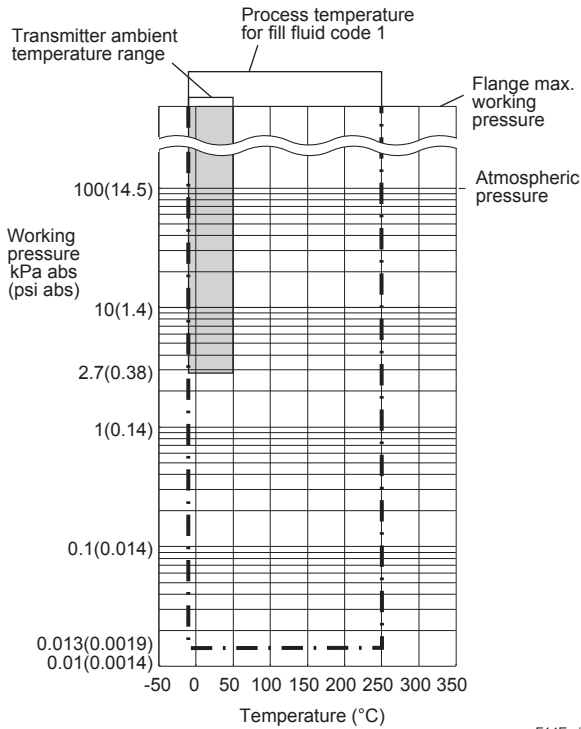
Contact YOKOGAWA when the transmitter can not be installed at least 600 mm below the HP process connection.



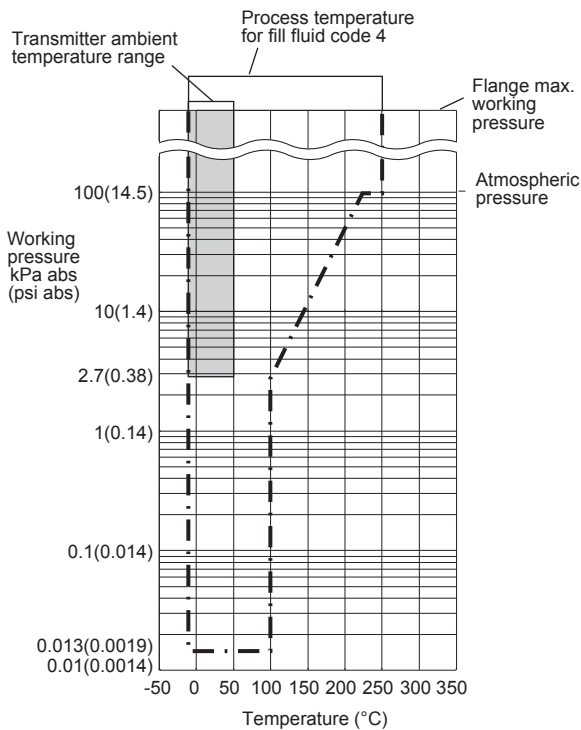
**Figure 1-1. Working Pressure and Process Temperature (Fill fluid: silicone oil for general use)**



**Figure 1-2. Working Pressure and Process Temperature (Fill fluid: fluorinated oil for oil-prohibited use and ethylene glycol for low temperature use)**



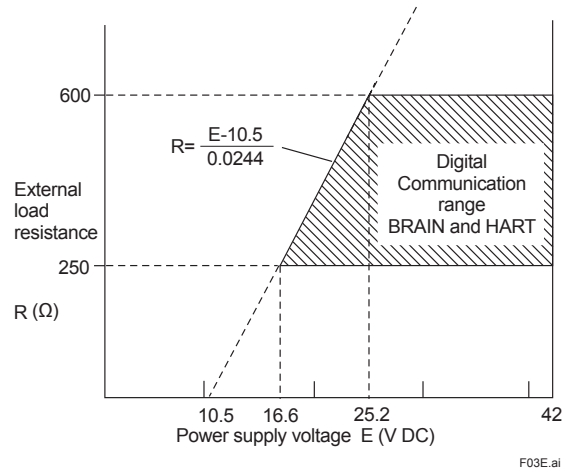
**Figure 1-3. Working Pressure and Process Temperature (Fill fluid: silicone oil for high temp. and high vacuum use)**



**Figure 1-4. Working Pressure and Process Temperature (Fill fluid: silicone oil for high vacuum use)**

**Supply & Load Requirements (Output signal code D, E and J. Optional features or approval codes may affect electrical requirements.)**

With 24 V DC supply, up to a 550 Ω load can be used. See graph below.



**Figure 2. Relationship Between Power Supply Voltage and External Load Resistance**

**Supply Voltage “◇”**

- 10.5 to 42 V DC for general use and flameproof type.
- 10.5 to 32 V DC for lightning protector (option code /A).
- 10.5 to 30 V DC for intrinsically safe, type n, or non-incendive.
- Minimum voltage limited at 16.6 V DC for digital communications, BRAIN and HART

**Load (Output signal code D, E and J)**

- 0 to 1290 Ω for operation
- 250 to 600 Ω for digital communication

**Communication Requirements “◇” (Approval codes may affect electrical requirements.)**

**BRAIN**

**Communication distance**

Up to 2 km (1.25 miles) when using CEV polyethylene-insulated PVC-sheathed cables. Communication distance varies depending on type of cable used.

**Load capacitance**

0.22 μF or less

**Load inductance**

3.3 mH or less

**Input impedance of communicating device**

10 kΩ or more at 2.4 kHz.

**EMC Conformity Standards**

- EN 61326-1 Class A, Table 2
- EN 61326-2-3
- EN 61326-2-5 (for fieldbus)

**European Pressure Equipment Directive 2014/68/EU**

Sound Engineering Practice

**EU RoHS Directive**

EN 50581

**Safety Requirement Standards**

- EN 61010-1, C22.2 No.61010-1
- Installation category: I  
(Anticipated transient overvoltage 330 V)
  - Pollution degree: 2
  - Indoor/Outdoor use

**□ PHYSICAL SPECIFICATIONS**

**Process connections**

See the following table.

**Table 2. Flange size and rating**

Process connection style	Size	Flange
Adapter connection type	1/2-inch	JIS 10K, 20K, 40K
	3/4-inch	ANSI Class 150, 300, 600
	1-inch	JPI Class 150, 300, 600
Flange connection type	1/2-inch	JIS 10K, 20K, 40K
	3/4-inch	ANSI Class 150, 300, 600
	1-inch	JPI Class 150, 300, 600

**Gasket Contact Surface**

See the following table.

**Table 3. Gasket contact surface**

Flange		JIS/JPI		ANSI	
Wetted parts material code		SA, SD	WA, WD	SA, SD	WA, WD
Gasket contact Surface	Serration*1	—	—	●	●
	Flat (No serration)	●	●	●	●

●: Applicable, —: Not applicable  
\*1: ANSI B16.5

**Electrical Connections**

See "MODEL AND SUFFIX CODES."

**Transmitter Mounting**

2-inch pipe mounting

**Wetted Parts Material**

**Diaphragm seal**

**Diaphragm and other wetted parts**

Refer to "MODEL AND SUFFIX CODES."

**Vent / drain plugs**

316 SST

**Flange material**

Refer to "MODEL AND SUFFIX CODES."

(It means the material of adapter or pipe with flange)

Gasket for transmitter side

316L SST with PTFE Teflon coating

**Non-wetted Parts Material**

**Transmitter body section:**

**Cover flange**

ASTM CF-8M

**Cover flange bolting**

B7 carbon steel, 316L SST or 660 SST

**Housing**

- Low copper cast aluminum alloy
- Low copper cast aluminum alloy with corrosion resistance properties (copper content ≤ 0.03%, iron content ≤ 0.15%) (optional)
- ASTM CF-8M Stainless steel (optional)

**Coating of housing**

[for aluminum housing]

Polyester resin powder coating

Mint-green paint (Munsell 5.6BG 3.3/2.9 or its equivalent)

[for option code /P□ or /X2]

Epoxy and polyurethane resin solvent coating

**Degrees of protection**

IP66/IP67, Type 4X

**Cover O-rings**

Buna-N, fluoro-rubber (optional)

**Name plate and tag**

316 SST

**Diaphragm seal section:**

**Capillary tube**

316 SST

**Protection tube**

304 SST PVC-sheathed

(Max. operating temperature of PVC, 100°C (212°F))

**Fill fluid**

See table 1.

In case of Adapter connection type

**Stud bolt...** B7

**Nut .....** 304 SST

**Weight**

Inner diaphragm, adapter connection type: 5.8 kg (12.8 lbs)

(1/2-inch ANSI Class150 flange, capillary length 5 m; without integral indicator and mounting bracket.)

**< Related Instruments > "◇"**

Power Distributor: Refer to GS 01B04T01-02E or GS 01B04T02-02E

BRAIN TERMINAL: Refer to GS 01C00A11-00E

**< Reference >**

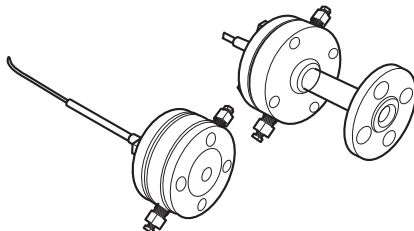
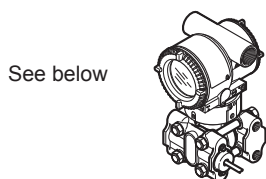
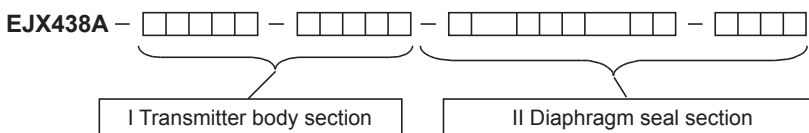
1. *DPHarp* **EX**™ is a registered trademark of Yokogawa Electric Corporation.
2. FieldMate; Trademark of Yokogawa Electric Corporation.
3. Teflon; Trademark of E.I. DuPont de Nemours & Co.
4. Hastelloy; Trademark of Haynes International Inc.
5. HART; Trademark of the HART Communication Foundation.
6. FOUNDATION Fieldbus; Trademark of Fieldbus Foundation.
7. PROFIBUS; Registered trademark of Profibus Nutzerorganisation e.v., Karlsruhe, Germany.

Other company names and product names used in this material are registered trademarks or trademarks of their respective owners.

## MODEL AND SUFFIX CODES

### Instruction

The model and suffix codes for EJX438A consist of two parts; a transmitter body section (I) and a diaphragm seal section (II). This specification sheet introduces these two parts separately. The transmitter body section is shown in one table, and the diaphragm seal section specifications are listed according to the process connection style. First select the model and suffix codes of transmitter body section and then continue on one of the diaphragm seal section.



Inner diaphragm,  
Adapter connection type ... See Page 7  
Inner diaphragm,  
Flange connection type ... See Page 8

F04E.ai

### I. Transmitter body section



F05E.ai

Model	Suffix codes	Description
<b>EJX438A</b>	.....	Diaphragm sealed gauge pressure transmitter
Output signal	-D..... -E..... -J..... -F..... -G.....	4 to 20 mA DC with digital communication (BRAIN protocol) 4 to 20 mA DC with digital communication (HART 5 protocol) 4 to 20 mA DC with digital communication (HART 5 / HART 7 protocol) (Refer to GS 01C25T01-01EN) Digital communication (FOUNDATION Fieldbus protocol, refer to GS 01C25T02-01E) Digital communication (PROFIBUS PA protocol, refer to GS 01C25T04-01EN)
Measurement span (capsule)	A..... B.....	0.035 to 3.5 MPa (5 to 500 psi) 0.16 to 16 MPa (23 to 2300 psi)
—	S.....	Always S
—	C.....	Always C
Coverflange bolts and nuts material	J..... G..... C.....	B7 carbon steel 316L SST 660 SST
Installation	-9.....	Horizontal piping type and left side high pressure
Amplifier housing	1..... 3..... 2.....	Cast aluminum alloy Cast aluminum alloy with corrosion resistance properties*1 ASTM CF-8M Stainless Steel*2
Electrical connection	0..... 2..... 4..... 5..... 7..... 9..... A..... C..... D.....	G 1/2 female, one electrical connection without blind plugs 1/2 NPT female, two electrical connections without blind plugs M20 female, two electrical connections without blind plugs G 1/2 female, two electrical connections with a blind plug*3 1/2 NPT female, two electrical connections with a blind plug*3 M20 female, two electrical connections with a blind plug*3 G 1/2 female, two electrical connections and a 316 SST blind plug 1/2 NPT female, two electrical connections and a 316 SST blind plug M20 female, two electrical connections and a 316 SST blind plug
Integral Indicator	D..... E..... N.....	Digital indicator*4 Digital indicator with the range setting switch (push button)*5 None
Mounting bracket	B..... J..... N.....	304 SST 2-inch pipe mounting, flat type (for horizontal piping) 316 SST 2-inch pipe mounting, flat type (for horizontal piping) None
Diaphragm seal section	- [ ] - [ ]	Continued on diaphragm seal section (II)

The "▶" marks indicate the most typical selection for each specification.

\*1: Not applicable for electrical connection code 0, 5, 7, 9 and A.

\*2: Not applicable for electrical connection code 0, 5, 7 and 9.

\*3: Material of a blind plug: aluminum alloy for code 5 and 9, and SUS304 for code 7.

\*4: Not applicable for output signal code G.

\*5: Not applicable for output signal code F.







## ■ OPTIONAL SPECIFICATIONS (For Explosion Protected type) “◇”

For other agency approvals and marine approvals, please refer to GS 01C25A20-01EN.

Item	Description	Code
Factory Mutual (FM)	FM Explosionproof Approval <sup>*1</sup> Applicable Standard: FM3600, FM3615, FM3810, ANSI/NEMA 250 Explosionproof for Class I, Division 1, Groups B, C and D, Dust-ignitionproof for Class II/III, Division 1, Groups E, F and G, in Hazardous locations, indoors and outdoors (Enclosure: Type 4X) “FACTORY SEALED, CONDUIT SEAL NOT REQUIRED.” Temperature class: T6, Amb. Temp.: -40 to 60°C (-40 to 140°F)	FF1
	FM Intrinsically safe Approval <sup>*1*2</sup> Applicable Standard: FM3600, FM3610, FM3611, FM3810 Intrinsically Safe for Class I, Division 1, Groups A, B, C & D, Class II, Division 1, Groups E, F & G and Class III, Division 1, Class I, Zone 0, in Hazardous Locations, AEx ia IIC Nonincendive for Class I, Division 2, Groups A, B, C & D, Class II, Division. 2, Groups F & G, Class I, Zone 2, Group IIC, in Hazardous Locations Enclosure: Type 4X, Temp. Class: T4, Amb. Temp.: -60 to 60°C (-75 to 140°F) Intrinsically Safe Apparatus Parameters [Groups A, B, C, D, E, F and G] V <sub>max</sub> =30 V, I <sub>max</sub> =200 mA, P <sub>max</sub> =1 W, C <sub>i</sub> =6 nF, L <sub>i</sub> =0 μH [Groups C, D, E, F and G] V <sub>max</sub> =30 V, I <sub>max</sub> =225 mA, P <sub>max</sub> =1 W, C <sub>i</sub> =6 nF, L <sub>i</sub> =0 μH	FS1
	Combined FF1 and FS1 <sup>*1*2</sup>	FU1
ATEX	ATEX Flameproof Approval <sup>*1</sup> Applicable Standard: EN 60079-0:2012+A11:2013, EN 60079-1:2007 (“2014” from August 1, 2017), EN 60079-31:2014 Certificate: KEMA 07ATEX0109 X II 2G, 2D Ex d IIC T6...T4 Gb (“Ex db IIC T6...T4 Gb” from August 1, 2017), Ex tb IIIC T85°C Db Degree of protection: IP66/IP67 Amb. Temp. (T <sub>amb</sub> ) for gas-proof : T4: -50 to 75°C (-58 to 167°F), T5: -50 to 80°C (-58 to 176°F), T6: -50 to 75°C (-58 to 167°F) Process Temp. for gas-proof (T <sub>p</sub> ): T4: -50 to 120°C (-58 to 248°F), T5: -50 to 100°C (-58 to 212°F), T6: -50 to 85°C (-58 to 185°F) Max. surface Temp. for dust-proof: T85°C (T <sub>amb</sub> : -30 to 75°C, T <sub>p</sub> : -30 to 85°C) <sup>*3</sup>	KF22
	ATEX Intrinsically safe Approval <sup>*1*2</sup> Applicable Standard: EN 60079-0:2012+A11:2013, EN 60079-11:2012 Certificate: DEKRA 11ATEX0228 X II 1G, 2D Ex ia IIC T4 Ga, Ex ia IIIC T85°C T100°C T120°C Db Degree of protection: IP66/IP67 Amb. Temp. (T <sub>amb</sub> ) for EPL Ga: -50 to 60°C (-58 to 140°F) Maximum Process Temp. (T <sub>p</sub> ) for EPL Ga: 120°C Electrical data: U <sub>i</sub> =30 V, I <sub>i</sub> =200 mA, P <sub>i</sub> =0.9 W, C <sub>i</sub> =27.6 nF, L <sub>i</sub> =0 μH Amb. Temp. for EPL Db: -30 to 60°C <sup>*3</sup> Max. surface Temp. for EPL Db: T85°C (T <sub>p</sub> : 80°C), T100°C (T <sub>p</sub> : 100°C), T120°C (T <sub>p</sub> : 120°C)	KS21
	Combined KF22, KS21 and ATEX Intrinsically safe Ex ic <sup>*1*2</sup> [ATEX Intrinsically safe Ex ic] Applicable Standard: EN 60079-0:2012+A11:2013, EN 60079-11:2012 II 3G Ex ic IIC T4 Gc, Amb. Temp.: -30 to 60°C (-22 to 140°F) <sup>*3</sup> U <sub>i</sub> =30 V, C <sub>i</sub> =27.6 nF, L <sub>i</sub> =0 μH	KU22

Item	Description	Code
Canadian Standards Association (CSA)	<p>CSA Explosionproof Approval *1                      Certificate: 2014354                      Applicable Standard: C22.2 No.0, C22.2 No.0.4, C22.2 No.0.5, C22.2 No.25, C22.2 No.30, C22.2 No.94, C22.2 No.60079-0, C22.2 No.60079-1, C22.2 No.61010-1, C22.2 No.61010-2-030                      Explosion-proof for Class I, Groups B, C and D.                      Dustignition-proof for Class II/III, Groups E, F and G.                      When installed in Division 2, "SEAL NOT REQUIRED" Enclosure: Type 4X,                      Temp. Code: T6...T4                      Ex d IIC T6...T4 Enclosure: IP66/IP67                      Max.Process Temp.: T4;120°C(248°F), T5;100°C(212°F), T6; 85°C(185°F)                      Amb.Temp.: -50 to 75°C(-58 to 167°F) for T4, -50 to 80°C(-58 to 176°F) for T5, -50 to 75°C(-58 to 167°F) for T6 *3                      Process Sealing Certification                      Dual Seal Certified by CSA to the requirement of ANSI/ISA 12.27.01                      No additional sealing required                      Primary seal failure annunciation: at the zero adjustment screw</p>	CF1
	<p>CSA Intrinsically safe Approval *1*2                      Certificate: 1606623                      [For CSA C22.2]                      Applicable Standard: C22.2 No.0, C22.2 No.0.4, C22.2 No.25, C22.2 No.94, C22.2 No.157, C22.2 No.213, C22.2 No.61010-1, C22.2 No.60079-0, C22.2 No.61010-2-030                      Intrinsically Safe for Class I, Division 1, Groups A, B, C &amp; D, Class II, Division 1, Groups E, F &amp; G, Class III, Division 1, Nonincendive for Class I, Division 2, Groups A, B, C &amp; D, Class II, Division 2, Groups F &amp; G, Class III, Division 1                      Enclosure: Type 4X, Temp. Code: T4 Amb. Temp.: -50 to 60°C(-58 to 140°F) *3                      Electrical Parameters: [Intrinsically Safe] Vmax=30V, Imax=200mA, Pmax=0.9W, Ci=10nF, Li=0 μH [Nonincendive] Vmax=30V, Ci=10nF, Li=0 μH                      [For CSA E60079]                      Applicable Standard: CAN/CSA E60079-11, CAN/CSA E60079-15, IEC 60529:2001                      Ex ia IIC T4, Ex nL IIC T4 Enclosure: IP66/IP67                      Amb. Temp.: -50 to 60°C(-58 to 140°F) *3, Max. Process Temp.: 120°C(248°F)                      Electrical Parameters: [Ex ia] Ui=30V, Ii=200mA, Pi=0.9W, Ci=10nF, Li=0 μH [Ex nL] Ui=30V, Ci=10nF, Li=0 μH                      Process Sealing Certification                      Dual Seal Certified by CSA to the requirement of ANSI/ISA 12.27.01                      No additional sealing required                      Primary seal failure annunciation: at the zero adjustment screw</p>	CS1
	Combined CF1 and CS1 *1*2	CU1
IECEx Scheme	<p>IECEx Flameproof Approval *1                      Applicable Standard: IEC 60079-0:2011, IEC60079-1:2007-4                      Certificate: IECEx CSA 07.0008                      Flameproof for Zone 1, Ex d IIC T6...T4 Gb Enclosure: IP66/IP67                      Max.Process Temp.: T4;120°C(248°F), T5;100°C(212°F), T6; 85°C(185°F)                      Amb.Temp.: -50 to 75°C(-58 to 167°F) for T4, -50 to 80°C(-58 to 176°F) for T5, -50 to 75°C(-58 to 167°F) for T6</p>	SF2
	<p>IECEx Intrinsically safe and Flameproof Approval *1*2                      Intrinsically safe Ex ia                      Certificate: IECEx DEK 11.0081X                      Applicable Standard: IEC 60079-0:2011, IEC 60079-11:2011                      Ex ia IIC T4 Ga Enclosure: IP66/IP67                      Amb. Temp.: -50 to 60°C(-58 to 140°F), Max. Process Temp.: 120°C(248°F)                      Electrical Parameters: Ui=30V, Ii=200mA, Pi=0.9W, Ci=27.6nF, Li=0 μH                      Intrinsically safe Ex ic                      Certificate: IECEx DEK 13.0061X                      Applicable Standard: IEC 60079-0:2011, IEC 60079-11:2011                      Ex ic IIC T4 Gc IP code: IP66                      Amb. Temp.: -30 to 60°C(-22 to 140°F) *3, Max. Process Temp.: 120°C(248°F)                      Electrical Parameters: Ui=30V,Ci=27.6 nF, Li=0 μH                      Flameproof                      Certificate: IECEx CSA 07.0008                      Applicable Standard: IEC 60079-0:2011, IEC60079-1:2007-4                      Flameproof for Zone 1, Ex d IIC T6...T4 Gb Enclosure: IP66/IP67                      Max.Process Temp.: T4;120°C(248°F), T5;100°C(212°F), T6; 85°C(185°F)                      Amb.Temp.: -50 to 75°C(-58 to 167°F) for T4, -50 to 80°C(-58 to 176°F) for T5, -50 to 75°C(-58 to 167°F) for T6</p>	SU21
Combination of Approval	Combination of KU22, FU1 and CU1 *1*2*4	V1U1

\*1: Applicable for Electrical connection code **2, 4, 7, 9, C** and **D**.  
 \*2: Not applicable for option code **/AL**.  
 \*3: Lower limit of ambient temperature is -15°C (5°F) when **/HE** is specified.  
 \*4: When this option code is specified, a wired tag plate (as of N4 option) shall be used for tag number.

## OPTIONAL SPECIFICATIONS

Item		Description	Code		
Painting	Color change	Amplifier cover only*6	P□		
		Amplifier cover and terminal cover, Munsell 7.5 R4/14	PR		
	Coating change	Anti-corrosion coating*1	X2		
316 SST exterior parts		316 SST zero-adjustment screw and setscrews*8	HC		
Fluoro-rubber O-ring		All O-rings of amplifier housing. Lower limit of ambient temperature: -15°C (5°F)	HE		
Lightning protector		Transmitter power supply voltage: 10.5 to 32 V DC ( 10.5 to 30 V DC for intrinsically safe type.) Allowable current: Max. 6000 A ( 1 × 40 μs ), Repeating 1000 A ( 1 × 40 μs ) 100 times Applicable Standards: IEC 61000-4-4, IEC 61000-4-5	A		
Status output *7		Transistor output (sink type) Contact rating: 30 V DC, 120 mA DC (max) Low level: 0 to 2 V DC	AL		
Oil-prohibited use		Degrease cleansing treatment	K1		
Oil-prohibited use with dehydrating treatment		Degrease cleansing treatment and dehydrating treatment	K5		
Calibration units *2	P calibration (psi unit)		(See table for Span and Range Limits.) D1		
	bar calibration (bar unit)			D3	
	M calibration (kgf/cm <sup>2</sup> unit)			D4	
Operating temperature correction *3		Adjusting range : 80°C to Maximum temperature of specified fill fluid.	R		
Capillary without PVC sheaths		When ambient temperature exceeds 100°C, or use of PVC is prohibited	V		
Output limits and failure operation *4	Failure alarm down-scale : Output status at CPU failure and hardware error is -5%, 3.2 mA DC or less.		C1		
	NAMUR NE43 Compliant Output signal limits : 3.8 mA to 20.5 mA	Failure alarm down-scale : Output status at CPU failure and hardware error is -5%, 3.2 mA DC or less.	C2		
		Failure alarm up-scale : Output status at CPU failure and hardware error is 110%, 21.6 mA or more.	C3		
Gold-plated diaphragm		Inside of isolating diaphragms (fill fluid side) are gold plated, effective for hydrogen permeation.	A1		
Wired tag plate		316 SST tag plate wired onto transmitter (Tag No.: Maximum. 16 characters.)	N4		
Data configuration at factory *5	Data configuration for HART communication type	Software damping, Descriptor, Message	CA		
	Data configuration for BRAIN communication type	Software damping	CB		
Advanced diagnostics *9		Multi-sensing process monitoring • Impulse line blockage detection *10	DG6		
Material certificate	Adapter (Flange), Block		Adapter connection type M2A		
	Adapter (Flange), Block, Bolt for Block, Stud bolt and nut, Bolt and nut for cover flange			M8A	
	Flange, Base, Block, Pipe		Flange connection type M2D		
	Flange, Base, Block, Pipe, Bolt for block, Bolt and nut for cover flange			M8D	
Pressure test/ Leak test Certificate *11	For A-Capsule	[Flange rating]	[Test pressure]	Nitrogen (N <sub>2</sub> ) Gas *12 Retention time: one minute	
		JIS 10K	2 MPa (290 psi)		T51
		JIS 20K, 40K	3.5 MPa (500 psi)		T53
		ANSI/JPI Class 150	3 MPa (430 psi)		T52
	For B-Capsule	ANSI/JPI Class 300, 600	3.5 MPa (500 psi)		T53
		JIS 10K	2 MPa (290 psi)		T51
		JIS 20K	5 MPa (720 psi)		T54
		JIS 40K	10 MPa (1450 psi)		T57
		ANSI/JPI Class 150	3 MPa (430 psi)		T52
		ANSI/JPI Class 300	8 MPa (1160 psi)		T56
		ANSI/JPI Class 600	16 MPa (2300 psi)		T58
		Long Vent	For inner diaphragm use only. Total length: 119 mm (standard: 34 mm); Total length when combining with option code K1, K2, K5, and K6: 130 mm. Material: 316 SST		U2
High pressure-proof structure*13		High pressure-proof structure for ANSI/JPI class 600 flange.	HP		

\*1: Not applicable with color change option. Not applicable for amplifier housing code 2.

\*2: The unit of MWP (Max. working pressure) on the name plate of a housing is the same unit as specified by option code **D1**, **D3**, and **D4**.

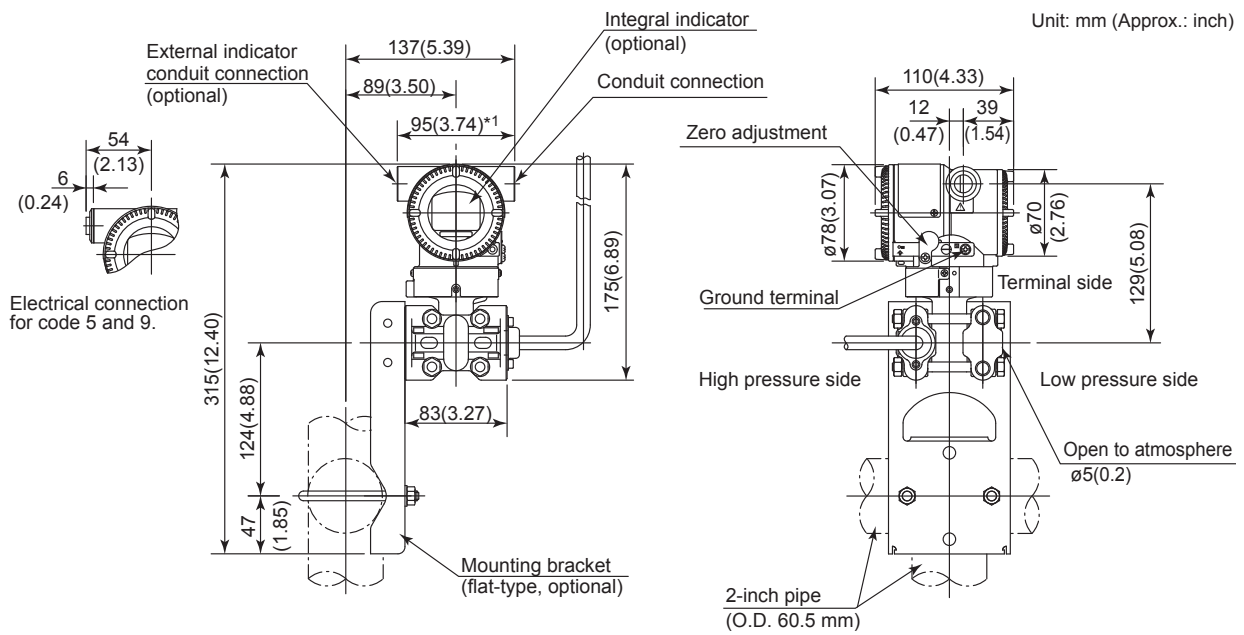
\*3: Specify the process operating temperature for zero correction. Example: Zero correction by process temperature 90°C.

\*4: Applicable for output signal code **D**, **E** and **J**. The hardware error indicates faulty amplifier or capsule.

- \*5: Also see 'Ordering Information.'
- \*6: Not applicable for amplifier housing code **2** and **3**.
- \*7: Check terminals cannot be used when this option is specified. Not applicable for output signal code **F** and **G**.
- \*8: 316 or 316L SST. The specification is included in amplifier code **2**.
- \*9: Applicable only for output signal code **E** and **J**.
- \*10: The change of pressure fluctuation is monitored and then detects the impulse line blockage. See TI 01C25A31-01E for detailed technical information required for using this function.
- \*11: The unit on the certificate is always MPa regardless of selection of option code **D1**, **D3**, or **D4**.
- \*12: Pure nitrogen gas is used for oil-prohibited use (option code **K1** and **K5**.)
- \*13: In case where flange rating code **A4** (ANSI class 600) or **P4** (JPI class 600) is selected, It must be selected optional code / **HP** (High pressure-proof structure).

## ■ DIMENSIONS

### <Transmitter body section>



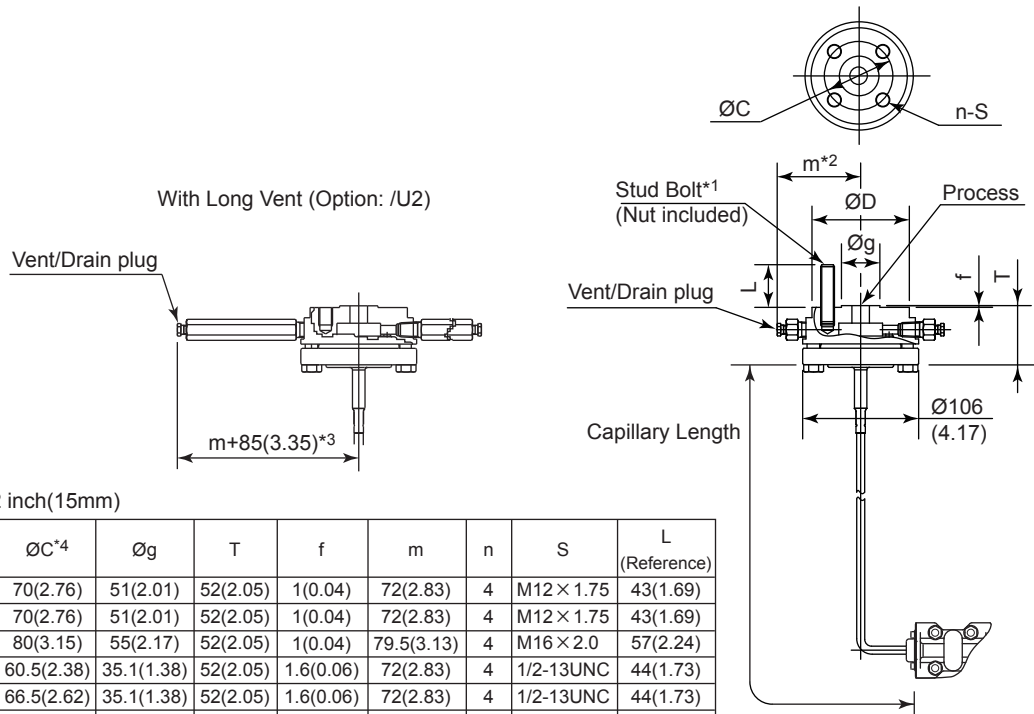
\*1: When electrical connection code 7 or C is selected, a blind plug is protruded upto 8 mm from the conduit connection.

F08E.ai

<Diaphragm seal section>

• Adapter connection type

Unit: mm (Approx.: inch)



Process Flange Size: 1/2 inch(15mm)

Flange rating	ØD	ØC*4	Øg	T	f	m	n	S	L (Reference)
JIS 10K	95(3.74)	70(2.76)	51(2.01)	52(2.05)	1(0.04)	72(2.83)	4	M12×1.75	43(1.69)
JIS 20K	95(3.74)	70(2.76)	51(2.01)	52(2.05)	1(0.04)	72(2.83)	4	M12×1.75	43(1.69)
JIS 40K	115(4.53)	80(3.15)	55(2.17)	52(2.05)	1(0.04)	79.5(3.13)	4	M16×2.0	57(2.24)
ANSI class 150	88.9(3.50)	60.5(2.38)	35.1(1.38)	52(2.05)	1.6(0.06)	72(2.83)	4	1/2-13UNC	44(1.73)
ANSI class 300	95.3(3.75)	66.5(2.62)	35.1(1.38)	62(2.44)	6.4(0.25)	72(2.83)	4	1/2-13UNC	59(2.32)
JPI class 150	89(3.50)	60.5(2.38)	35.1(1.38)	52(2.05)	1.6(0.06)	72(2.83)	4	1/2-13UNC	44(1.73)
JPI class 300	95(3.74)	66.5(2.62)	35.1(1.38)	52(2.05)	1.6(0.06)	72(2.83)	4	1/2-13UNC	44(1.73)
JPI class 600	95(3.74)	66.5(2.62)	35.1(1.38)	62(2.44)	6.4(0.25)	72(2.83)	4	1/2-13UNC	59(2.32)

Process Flange Size: 3/4 inch(20mm)

Flange rating	ØD	ØC*4	g	T	f	m	n	S	L (Reference)
JIS 10K	100(3.94)	75(2.95)	56(2.20)	52(2.05)	1(0.04)	72(2.83)	4	M12×1.75	43(1.69)
JIS 20K	100(3.94)	75(2.95)	56(2.20)	52(2.05)	1(0.04)	72(2.83)	4	M12×1.75	43(1.69)
JIS 40K	120(4.72)	85(3.35)	60(2.36)	52(2.05)	1(0.04)	82(3.23)	4	M16×2.0	57(2.24)
ANSI class 150	98.6(3.88)	69.9(2.75)	42.9(1.69)	52(2.05)	1.6(0.06)	72(2.83)	4	1/2-13UNC	44(1.73)
ANSI class 300	117.3(4.62)	82.6(3.25)	42.9(1.69)	52(2.05)	1.6(0.06)	80.7(3.18)	4	5/8-11UNC	51(2.01)
ANSI class 600	117.3(4.62)	82.6(3.25)	42.9(1.69)	62(2.44)	6.4(0.25)	80.7(3.18)	4	5/8-11UNC	67(2.64)
JPI class 150	99(3.90)	69.8(2.75)	42.9(1.69)	52(2.05)	1.6(0.06)	72(2.83)	4	1/2-13UNC	44(1.73)
JPI class 300	117(4.61)	82.6(3.25)	42.9(1.69)	52(2.05)	1.6(0.06)	80.7(3.18)	4	5/8-11UNC	51(2.01)
JPI class 600	117(4.61)	82.6(3.25)	42.9(1.69)	62(2.44)	6.4(0.25)	80.7(3.18)	4	5/8-11UNC	67(2.64)

Process Flange Size: 1 inch(25mm)

Flange rating	ØD	ØC*4	Øg	T	f	m	n	S	L (Reference)
JIS 10K	125(4.92)	90(3.54)	67(2.64)	52(2.05)	1(0.04)	84.5(3.33)	4	M16×2.0	57(2.24)
JIS 20K	125(4.92)	90(3.54)	67(2.64)	52(2.05)	1(0.04)	84.5(3.33)	4	M16×2.0	57(2.24)
JIS 40K	130(5.12)	95(3.74)	70(2.76)	52(2.05)	1(0.04)	87(3.43)	4	M16×2.0	57(2.24)
ANSI class 150	108(4.25)	79.2(3.12)	50.8(2.00)	52(2.05)	1.6(0.06)	76(2.99)	4	1/2-13UNC	44(1.73)
ANSI class 300	124(4.88)	88.9(3.50)	50.8(2.00)	52(2.05)	1.6(0.06)	84(3.31)	4	5/8-11UNC	51(2.01)
ANSI class 600	124(4.88)	88.9(3.50)	50.8(2.00)	62(2.44)	6.4(0.25)	84(3.31)	4	5/8-11UNC	67(2.64)
JPI class 150	108(4.25)	79.2(3.12)	50.8(2.00)	52(2.05)	1.6(0.06)	76(2.99)	4	1/2-13UNC	44(1.73)
JPI class 300	124(4.88)	88.9(3.50)	50.8(2.00)	52(2.05)	1.6(0.06)	84(3.31)	4	5/8-11UNC	51(2.01)
JPI class 600	124(4.88)	88.9(3.50)	50.8(2.00)	62(2.44)	6.4(0.25)	84(3.31)	4	5/8-11UNC	67(2.64)

\*1: Stud bolts and nuts are attached for n pcs.

\*2: In case of oil-prohibited use or oil-prohibited use with dehydrating treatment, 15mm added.

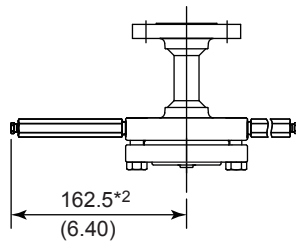
\*3: In case of oil-prohibited use or oil-prohibited use with dehydrating treatment, 11mm added.

\*4: This value is the same as flange standards. Actual value might be added 1mm(0.04inch) because the commercial gaskets can be used.

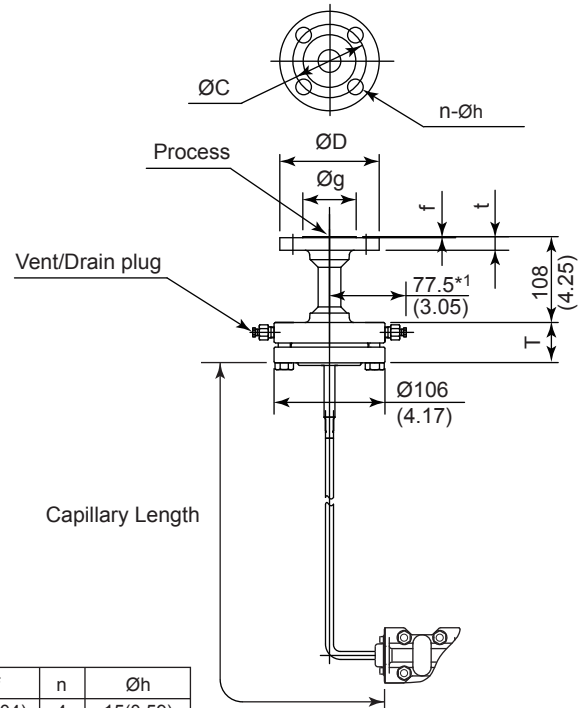
● Flange connection type

Unit: mm (Approx.: inch)

With Long Vent (Option: /U2)



- \*1: In case of oil-prohibited use or oil-prohibited use with dehydrating treatment, 15mm added.
- \*2: In case of oil-prohibited use or oil-prohibited use with dehydrating treatment, 11mm added.



Process Flange Size: 1/2 inch(15mm)

Flange rating	ØD	ØC	Øg	T	t	f	n	Øh
JIS 10K	95(3.74)	70(2.76)	51(2.01)	42(1.65)	12(0.47)	1(0.04)	4	15(0.59)
JIS 20K	95(3.74)	70(2.76)	51(2.01)	42(1.65)	14(0.55)	1(0.04)	4	15(0.59)
JIS 40K	115(4.53)	80(3.15)	55(2.17)	42(1.65)	20(0.79)	1(0.04)	4	19(0.75)
ANSI class 150	88.9(3.50)	60.5(2.38)	35.1(1.38)	42(1.65)	11.2(0.44)	1.6(0.06)	4	15.7(0.62)
ANSI class 300	95.3(3.75)	66.5(2.62)	35.1(1.38)	42(1.65)	14.3(0.56)	1.6(0.06)	4	15.7(0.62)
ANSI class 600	95.3(3.75)	66.5(2.62)	35.1(1.38)	57(2.24)	14.3(0.56)	6.4(0.25)	4	15.7(0.62)
JPI class 150	89(3.50)	60.5(2.38)	35.1(1.38)	42(1.65)	11.2(0.44)	1.6(0.06)	4	16(0.63)
JPI class 300	95(3.74)	66.5(2.62)	35.1(1.38)	42(1.65)	14.3(0.56)	1.6(0.06)	4	16(0.63)
JPI class 600	95(3.74)	66.5(2.62)	35.1(1.38)	57(2.24)	14.3(0.56)	6.4(0.25)	4	16(0.63)

Process Flange Size: 3/4 inch(20mm)

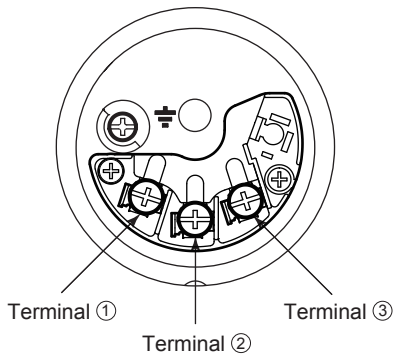
Flange rating	ØD	ØC	Øg	T	t	f	n	Øh
JIS 10K	100(3.94)	75(2.95)	56(2.20)	42(1.65)	14(0.55)	1(0.04)	4	15(0.59)
JIS 20K	100(3.94)	75(2.95)	56(2.20)	42(1.65)	16(0.63)	1(0.04)	4	15(0.59)
JIS 40K	120(4.72)	85(3.35)	60(2.36)	42(1.65)	20(0.79)	1(0.04)	4	19(0.75)
ANSI class 150	98.6(3.88)	69.9(2.75)	42.9(1.69)	42(1.65)	12.7(0.50)	1.6(0.06)	4	15.7(0.62)
ANSI class 300	117.3(4.62)	82.6(3.25)	42.9(1.69)	42(1.65)	15.8(0.62)	1.6(0.06)	4	19.1(0.75)
ANSI class 600	117.3(4.62)	82.6(3.25)	42.9(1.69)	57(2.24)	15.8(0.62)	6.4(0.25)	4	19.1(0.75)
JPI class 150	99(3.90)	69.8(2.75)	42.9(1.69)	42(1.65)	12.7(0.50)	1.6(0.06)	4	16(0.63)
JPI class 300	117(4.61)	82.6(3.25)	42.9(1.69)	42(1.65)	15.8(0.62)	1.6(0.06)	4	19(0.75)
JPI class 600	117(4.61)	82.6(3.25)	42.9(1.69)	57(2.24)	15.8(0.62)	6.4(0.25)	4	19(0.75)

Process Flange Size: 1 inch(25mm)

Flange rating	ØD	ØC	Øg	T	t	f	n	Øh
JIS 10K	125(4.92)	90(3.54)	67(2.64)	42(1.65)	14(0.55)	1(0.04)	4	19(0.75)
JIS 20K	125(4.92)	90(3.54)	67(2.64)	42(1.65)	16(0.63)	1(0.04)	4	19(0.75)
JIS 40K	130(5.12)	95(3.74)	70(2.76)	42(1.65)	22(0.87)	1(0.04)	4	19(0.75)
ANSI class 150	108(4.25)	79.2(3.12)	50.8(2.00)	42(1.65)	14.3(0.56)	1.6(0.06)	4	15.7(0.62)
ANSI class 300	124(4.88)	88.9(3.50)	50.8(2.00)	42(1.65)	17.6(0.69)	1.6(0.06)	4	19.1(0.75)
ANSI class 600	124(4.88)	88.9(3.50)	50.8(2.00)	57(2.24)	17.6(0.69)	6.4(0.25)	4	19.1(0.75)
JPI class 150	108(4.25)	79.2(3.12)	50.8(2.00)	42(1.65)	14.3(0.56)	1.6(0.06)	4	16(0.63)
JPI class 300	124(4.88)	88.9(3.50)	50.8(2.00)	42(1.65)	17.6(0.69)	1.6(0.06)	4	19(0.75)
JPI class 600	124(4.88)	88.9(3.50)	50.8(2.00)	57(2.24)	17.6(0.69)	6.4(0.25)	4	19(0.75)

F10E.ai

• Terminal Configuration



• Terminal Wiring

SUPPLY	+	①	Power supply and output terminals
	-	②	
CHECK	+	③	External indicator (ammeter) terminals <sup>*1,2</sup>
or	-	②	
ALARM	+	③	Status contact output terminals <sup>*2</sup>
	-	②	
			⏏ Ground terminal

\*1: When using an external indicator or check meter, the internal resistance must be 10 Ω or less. A check meter or indicator cannot be connected when /AL option is specified.

\*2: Not available for FOUNDATION Fieldbus and PROFIBUS PA communication types.

F11E.ai

• Wiring Example for Analog Output and Status Output

Connection	Description
<p>Analog output</p>	
<p>Analog and Status output (when /AL is specified)</p> <p>If shield cable is not used, communication is not possible.</p>	

**< Ordering Information > “◇”**

Specify the following when ordering  
For output signal code **-J**, refer to GS 01C25T01-01EN.

1. Model, suffix codes, and option codes
2. Calibration range and units:
  - 1) Calibration range can be specified with range value specifications up to 5 digits (excluding any decimal point) for low or high range limits within the range of -32000 to 32000. When reverse range is designated, specify LRV as greater than URV.
  - 2) Specify only one unit from the table, 'Factory setting.'
3. Display scale and units (for transmitters equipped with the integral indicator only)  
Specify either 0 to 100 % or 'Range and Unit' for engineering units scale:  
Scale range can be specified with range limit specifications up to 5 digits (excluding any decimal point) for low or high range limits within the range of -32000 to 32000. Unit display consists of 6-digit, therefore, if the specified scaling unit excluding '/' is longer than 6-characters, the first 6 characters will be displayed on the unit display.
4. Tag Number (if required).  
Specified characters (up to 16 characters for BRAIN, 22 characters for HART, or 16 characters for /N4 tag) are engraved on the stainless steel tag plate fixed on the housing.
5. SOFTWARE TAG (for HART only. If required)  
Specified characters (up to 32 characters) are set as "Tag" (the first 8 characters) and "Long tag"\*1 (32 characters) in the amplifier memory. Use alphanumeric capital letters.  
When the "SOFTWARE TAG" is not specified, specified "TAG NO" is set as "Tag" (the first 8 characters) and "Long tag"\*1 (22 characters) in the amplifier memory.  
\*1: applicable only when HART 7 is selected.
6. Other factory configurations (if required)  
Specifying option code **/CA** or **/CB** will allow further configuration at factory. Following are configurable items and setting range.  
[/CA : For HART communication type]  
  - 1) Descriptor(upto 16 characters)
  - 2) Message (upto 30 characters)
  - 3) Software damping (0.00 to 100.00 s)
 [/CB : For BRAIN communication type]  
  - 1) Software damping (0.00 to 100.00 s)
7. Process fluid temperature for zero compensation (if required)

**< Factory Setting > “◇”**

Tag Number	As specified in order
Software damping *1	'2.00 s' or as specified in order
Calibration range lower range value	As specified in order
Calibration range upper range value	As specified in order
Calibration range units	Selected from mmH <sub>2</sub> O, mmH <sub>2</sub> O(68°F), mmAq*2, mmWG*2, mmHg, Pa, hPa*2, kPa, MPa, mbar, bar, gf/cm <sup>2</sup> , kgf/cm <sup>2</sup> , inH <sub>2</sub> O, inH <sub>2</sub> O(68°F), inHg, ftH <sub>2</sub> O, ftH <sub>2</sub> O (68°F) or psi. (Only one unit can be specified)
Display setting	Designated value specified in order, absolute value. (% or user scaled value.)

- \*1: To specify these items at factory, **/CA** or **/CB** option is required.
- \*2: Not available for HART protocol type.

**< Material Cross Reference >**

ASTM	JIS
316	SUS316
F316	SUSF316
316L	SUS316L
F316L	SUSF316L
304	SUS304
F304	SUSF304
660	SUH660
B7	SNB7
CF-8M	SCS14A

**< Information on EU WEEE Directive >**

EU WEEE (Waste Electrical and Electronic Equipment) Directive is only valid in the EU.

This instrument is intended to be sold and used only as a part of equipment which is excluded from WEEE Directive, such as large-scale stationary industrial tools, a large-scale fixed installation and so on, and, therefore, subjected to the exclusion from the scope of the WEEE Directive. The instrument should be disposed of in accordance with local and national legislation/regulations.