

General Specifications

EJX118A Diaphragm Sealed Differential Pressure Transmitter



GS 01C25H01-01E

Diaphragm seals are used to prevent process medium from entering directly into the pressure-sensing assembly of the differential pressure transmitter, they are connected to the transmitter using capillaries filled with fill fluid.

EJX118A Diaphragm Sealed Differential Pressure Transmitters can be used to measure liquid, gas, or steam flow, as well as liquid level, density, and pressure. EJX118A outputs a 4 to 20 mA DC signal corresponding to the measured differential pressure. Its highly accurate and stable sensor can also measure the static pressure which can be shown on the integral indicator or remotely monitored via BRAIN or HART communications. Other key features include quick response, remote set-up using communications, and self-diagnostics and optional status output for pressure high/low alarm. FOUNDATION Fieldbus protocol type is also available. All EJX series models in their standard configuration, with the exception of the Fieldbus type, are certified by TUV as complying with SIL 2 for safety requirement.



STANDARD SPECIFICATIONS

Refer to GS 01C25T02-01E for Fieldbus communication type marked with "◇."

SPAN AND RANGE LIMITS

Measurement Span/Range	kPa	inH ₂ O/(D1)	mbar/(D3)	mmH ₂ O/(D4)	
M	Span	2 to 100	8 to 400	20 to 1000	200 to 10000
	Range	-100 to 100	-400 to 400	-1000 to 1000	-10000 to 10000
H	Span	10 to 500	40 to 2000	100 to 5000	0.1 to 5 kgf/cm ²
	Range	-500 to 500	-2000 to 2000	-5000 to 5000	-5 to 5 kgf/cm ²

T01E.EPS

PERFORMANCE SPECIFICATIONS

Zero-based calibrated span, linear output, wetted parts material code SW for 3-inch flange flush type, fill fluid code B, and capillary length of 5 m.

For Fieldbus communication type, use calibrated range instead of span in the following specifications.

Specification Conformance

EJX series ensures specification conformance to at least $\pm 3\sigma$.

Reference Accuracy of Calibrated Span

(includes terminal-based linearity, hysteresis, and repeatability)

Measurement span	H	
Reference accuracy	X \leq span	$\pm 0.15\%$ of Span
	X > span	$\pm(0.085+0.013 \text{ URL}/\text{span})\%$ of Span
X	100 kPa (400 inH ₂ O)	
URL (upper range limit)	500 kPa (2000 inH ₂ O)	

T02E.EPS

Measurement span	M	
Reference accuracy	X \leq span	$\pm 0.15\%$ of Span
	X > span	$\pm(0.02+0.013 \text{ URL}/\text{span})\%$ of Span
X	10 kPa (40 inH ₂ O)	
URL (upper range limit)	100 kPa (400 inH ₂ O)	

T03E.EPS

Square Root Output Accuracy

The square root accuracy is a percent of flow span.

Output	Accuracy
50% or Greater	Same as reference accuracy
50% to Dropout point	$\frac{\text{Reference accuracy} \times 50}{\text{Square root output}} (\%)$

T04E.EPS

Ambient Temperature Effects per 28°C (50°F) Change

Capsule	Effect
M and H	$\pm(0.25\% \text{ Span} + 0.06\% \text{ URL})$

Static Pressure Effects per 0.69 MPa (100 psi) Change

Span Effects
M and H capsules
 $\pm 0.02\%$ of span

Effect on Zero
M and H capsules
 $\pm 0.014\%$ of URL

Power Supply Effects (Output signal code D and E)
±0.005% per Volt (from 21.6 to 32 V DC, 350 Ω)**Response Time (Differential pressure) “◇”**

M and H capsule: 200 msec (approximate value at normal temperature)

When software damping is set to zero and including dead time of 45 msec (nominal)

Static Pressure Signal Range and Accuracy

(For monitoring via communication or on indicator. Includes terminal-based linearity, hysteresis, and repeatability)

Range

Upper Range Value and Lower Range Value of the static pressure can be set in the range between 0 and Maximum Working Pressure (MWP*). The upper range value must be greater than the lower range value. Minimum setting span is 0.5 MPa (73 psi).

*: Maximum Working Pressure (MWP) is within flange rating pressure.

AccuracyAbsolute Pressure

1 MPa or higher : ±0.2% of span

Less than 1 MPa: ±0.2%×(1 MPa/span) of span

Gauge Pressure Reference

Gauge pressure reference is 1013 hPa (1 atm)

Note : Gauge pressure variable is based on the above fixed reference and thus subject to be affected by the change of atmospheric pressure.

 FUNCTIONAL SPECIFICATIONS**Output “◇”**

Two wire 4 to 20 mA DC output with digital communications, linear or square root programmable. BRAIN or HART FSK protocol are superimposed on the 4 to 20 mA signal.

Output range: 3.6 mA to 21.6 mA

Output limits conform to NAMUR NE43 can be pre-set by option code C2 or C3.

Failure Alarm (Output signal code D and E)

Output status at CPU failure and hardware error;

Up-scale: 110%, 21.6 mA DC or more (standard)

Down-scale: -5%, 3.2 mA DC or less

Damping Time Constant (1st order)

Amplifier damping time constant is adjustable from 0.00 to 100.00 sec by software and added to response time.

Note: For BRAIN protocol type, when amplifier software damping is set to less than 0.5 sec, communication may occasionally be unavailable during the operation, especially while output changes dynamically. The default setting of damping ensures stable communication.

Update Period “◇”

Differential pressure: 45 ms

Static pressure: 360 ms

Zero Adjustment Limits

Zero can be fully elevated or suppressed, within the lower and upper range limits of the capsule.

External Zero Adjustment

External zero is continuously adjustable with 0.01% incremental resolution of span. Re-range can be done locally using the digital indicator with range-setting switch.

Integral Indicator (LCD display, optional) “◇”

5-digit numerical display, 6-digit unit display and bar graph.

The indicator is configurable to display one or up to four of the following variables periodically.;
Measured differential pressure, differential pressure in %, scaled differential pressure, measured static pressure. See also “Factory Setting.”

Self Diagnostics

CPU failure, hardware failure, configuration error, process alarm for differential pressure, static pressure or capsule temperature.

User-configurable process high/low alarm for differential pressure and static pressure is also available, and its status can be output when optional status output is specified.

Signal Characterizer (Output signal code D and E)

User-configurable 10-segment signal characterizer for 4 to 20 mA output.

Capillary Fill Fluid Density Compensation (Output signal code D and E)

Compensation of the zero shift by the ambient temperature effect on the capillary tube.

Status Output**(optional, output signal code D and E)**

One transistor contact output (sink type) to output the status of user configurable high/low alarm for differential pressure/static pressure.

Contact rating: 10.5 to 30 V DC, 120 mA DC max.

Refer to ‘Terminal Configuration’ and ‘Wiring Example for Analog Output and Status Output.’

SIL Certification

EJX series transmitters except Fieldbus communication type are certified by RWTÜV Systems GmbH in compliance with the following standards;

IEC 61508: 2000; Part1 to Part 7

Functional Safety of Electrical/electronic/programmable electronic related systems; SIL 2 capability for single transmitter use, SIL 3 capability for dual transmitter use.

 NORMAL OPERATING CONDITION

(Optional features or approval codes may affect limits.)

Ambient Temperature Limits

-40 to 60°C (-40 to 140°F)

-30 to 60°C (-22 to 140°F) with LCD display

(Note : The ambient temperature limits must be within the fill fluid operating temperature range, see table 1.)

Process Temperature Limits

See table 1.

Ambient Humidity Limits

0 to 100% RH

Working Pressure Limits

See table 1.

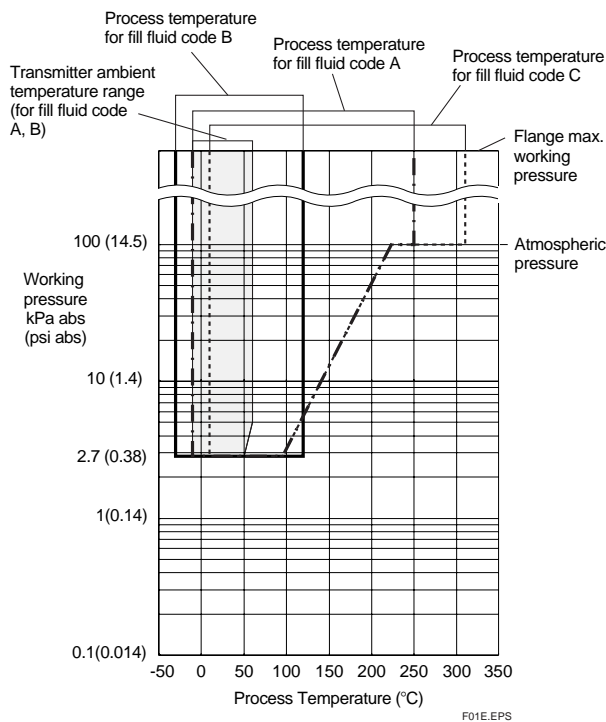
For atmospheric pressure or below, see figure 1-1 and 1-2.

Table 1. Process temperature, Ambient temperature, and Working pressure

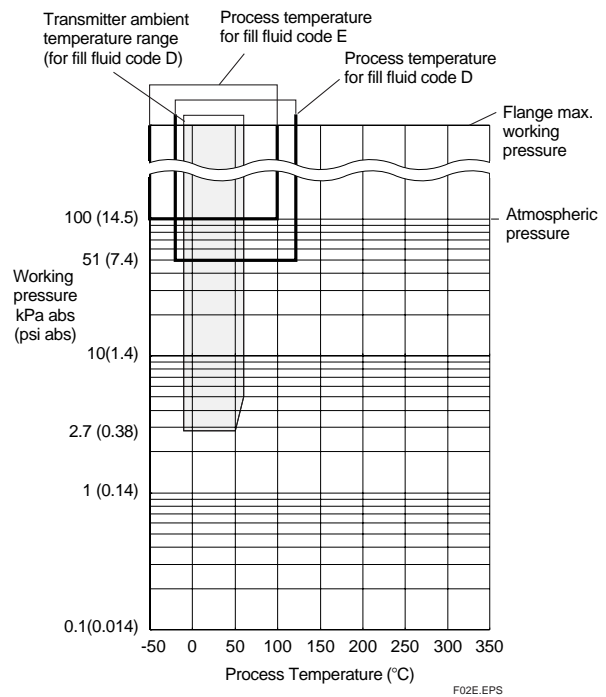
	Code	Process temperature*1	Ambient temperature*2	Working pressure	Specific gravity*3
Silicone oil (general use)	A	-10 to 250°C *4 (14 to 482°F)	-10 to 60°C (14 to 140°F)	2.7 kPa abs (0.38 psi abs) to flange rating pressure	1.07
Silicone oil (general use)	B	-30 to 180°C (-22 to 356°F)	-15 to 60°C (5 to 140°F)		0.94
Silicone oil (high temperature use)	C	10 to 310°C (50 to 590°F)	10 to 60°C (50 to 140°F)		1.09
Fluorinated oil (oil-prohibited use)	D	-20 to 120°C (-4 to 248°F)	-10 to 60°C (14 to 140°F)	51 kPa abs (7.4 psi abs) to flange rating pressure	1.90 to 1.92
Ethylene glycol (low temperature use)	E	-50 to 100°C (-58 to 212°F)	-40 to 60°C (-40 to 140°F)	100 kPa abs (atmospheric pressure) to flange pressure rating	1.09

T05E.EPS

- *1: See figure 1-1 and 1-2 'Working Pressure and Process Temperature.'
 - *2: This ambient temperature is the transmitter ambient temperature.
 - *3: Approximate values at a temperature of 25°C (77°F)
 - *4: In case of wetted parts material code TW (Tantalum), process temperature limit is up to 200°C (392°F).
- Note: The differential pressure transmitter should be installed at least 600 mm below the high pressure (HP) process connection. However, this value (600 mm) may be affected by ambient temperature, operating pressure, fill fluid or material of the wetted diaphragm.
Contact YOKOGAWA when the transmitter can not be installed at least 600 mm below the HP process connection.



**Figure 1-1. Working Pressure and Process Temperature
(Fill fluid : silicone oil for general and high temperature use)**



**Figure 1-2. Working Pressure and Process Temperature
(Fill fluid : fluorinated oil for oil-prohibited use and ethylene glycol for low temperature use)**

Supply & Load Requirements

(Output signal code D and E. Optional features or approval codes may affect electrical requirements.)

With 24 V DC supply, up to a 550 Ω load can be used. See graph below.

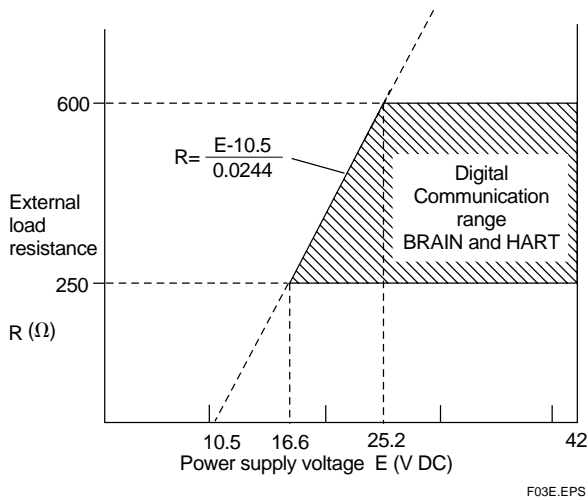


Figure 2. Relationship Between Power Supply Voltage and External Load Resistance

Supply Voltage “◇”

10.5 to 42 V DC for general use and flameproof type.
10.5 to 32 V DC for lightning protector (option code /A).
10.5 to 30 V DC for intrinsically safe, type n, or non-incendive.

Minimum voltage limited at 16.6 V DC for digital communications, BRAIN and HART

Load (Output signal code D and E)

0 to 1290 Ω for operation
250 to 600 Ω for digital communication

Communication Requirements “◇”

(Approval codes may affect electrical requirements.)

BRAIN

Communication Distance

Up to 2 km (1.25 miles) when using CEV polyethylene-insulated PVC-sheathed cables. Communication distance varies depending on type of cable used.

Load Capacitance

0.22 μF or less

Load Inductance

3.3 mH or less

Input Impedance of communicating device

10 kΩ or more at 2.4 kHz.

HART

Communication Distance

Up to 1.5 km (1 mile) when using multiple twisted pair cables. Communication distance varies depending on type of cable used.

Use the following formula to determine cable length for specific applications:

$$L = \frac{65 \times 10^6}{(R \times C)} - \frac{(C_f + 10,000)}{C}$$

Where:

L = length in meters or feet

R = resistance in Ω (including barrier resistance)

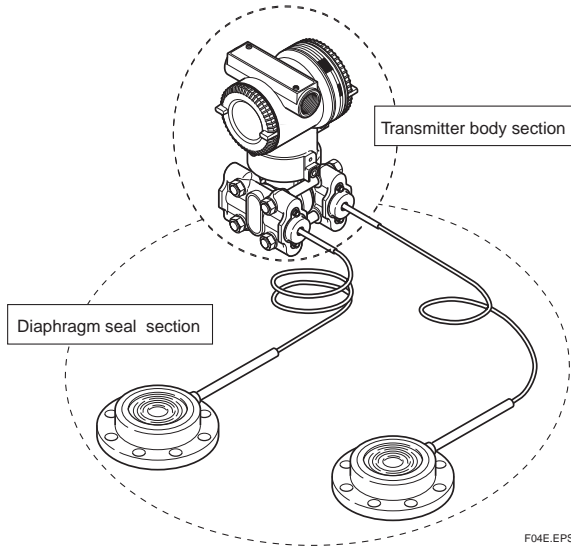
C = cable capacitance in pF/m or pF/ft

C_f = maximum shunt capacitance of receiving devices in pF/m or pF/ft

EMC Conformity Standards CE , N200

EN 61326, AS/NZS 2064

PHYSICAL SPECIFICATIONS



Process connections
See the following table.

Table 2. Flange size and rating

Process connection style	Size	Flange
Flush type	3-inch	JIS 10K, 20K, 40K
	2-inch	ANSI Class 150, 300, 600
	1 1/2-inch*	JPI Class 150, 300, 600 DIN PN10/16, 25/40, 64
Extended type	4-inch	JIS 10K, 20K
	3-inch	ANSI Class 150, 300 JPI Class 150, 300 DIN PN10/16, 25/40
Combination type (Extended and Flush)	High pressure side: 4-inch	JIS 10K, 20K
	Low pressure side: 3-inch	ANSI Class 150, 300 JPI Class 150, 300 DIN PN10/16, 25/40

F04E.EPS

T06E.EPS

*: Flushing connection rings are always attached.

Gasket Contact Surface
See the following table.

Table 3. Gasket contact surface

Flange		JIS/JPI/DIN		ANSI	
Wetted parts material code		SW, SE, SY	HW, TW, UW	SW, SE, SY	HW, TW, UW
Gasket contact Surface	Serration*1	—	—	●	—
	Flat (No serration)	●	●	●	●

T07E.EPS

●: Applicable, —: Not applicable
*1:ANSI B16.5

Electrical Connections
See "MODEL AND SPECIFICATIONS."

Transmitter Mounting
2-inch pipe mounting

Wetted Parts Material

- Diaphragm seal**
- Diaphragm and other wetted parts;**
Refer to "MODEL AND SUFFIX CODES."
- Flushing connection ring (optional)**
- Ring and Vent / Drain plugs**
Refer to "MODEL AND SUFFIX CODES."
(Spiral) gasket for transmitter side
316SST (Hoop), PTFE Teflon (Filler)

Non-wetted Parts Material

- Transmitter body section:**
- Cover flange**
ASTM CF-8M
- Cover flange bolting**
ASTM-B7M carbon steel, 316 SST(ISO A4-70)
stainless steel, or ASTM grade 660 stainless steel
- Housing**
Low copper cast aluminum alloy with polyurethane,
mint-green paint (Munsell 5.6BG 3.3/2.9 or its
equivalent)
- Degrees of Protection**
IP67, NEMA4X, JIS C0920
- Name plate and tag**
304 SST
- Diaphragm seal section:**
- Process Flange**
JIS S25C, JIS SUS304, or JIS SUS316
- Capillary tube**
JIS SUS316
- Protection tube**
JIS SUS304 PVC-sheathed
(Max. operating temperature of PVC,100°C (212°F))
- Fill fluid**
See table 1.

Weight

- Flush type: 16.1 kg (35.5 lbs)
(3-inch ANSI Class150 flange, capillary length 5 m;
without integral indicator and mounting bracket.)
- Extended type: 21.7 kg (47.9 lbs)
(4-inch ANSI Class150 flange, extension length
(X₂)=100 mm, capillary length 5 m; without integral
indicator and mounting bracket.)
- Combination type: 18.9 kg (41.7 lbs)
(4-inch and 3-inch ANSI Class150 flange, extension
length (X₂) =100 mm, capillary length 5 m; without
integral indicator and mounting bracket.)

< Related Instruments > "◇"

- Power Distributor: Refer to GS 01B04T01-02E or
GS 01B04T02-02E
- BRAIN TERMINAL: Refer to GS 01C00A11-00E

< Reference >

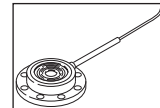
1. Teflon; Trademark of E.I. DuPont de Nemours & Co.
2. Hastelloy; Trademark of Haynes International Inc.
3. HART; Trademark of the HART Communication
Foundation.
4. FOUNDATION Fieldbus; Trademark of Fieldbus
Foundation.

Other company names and product names used in
this material are registered trademarks or trademarks
of their respective owners.

II. Diaphragm seal section (Flush type)

● Process connection size: 3-inch (80mm) / 2-inch (50mm)

EJX118A-□□□□-□□□□-W 3 2 □□□□□□□□□□



F07E.EPS

Model	Suffix codes	Description
EJX118A	-□□□□□-□□□□□	Transmitter body section (I)
Process connection style	-W	Flush type
Flange rating	J1 JIS 10K J2 JIS 20K J4 JIS 40K A1 ANSI class 150 A2 ANSI class 300 A4 ANSI class 600 D2 DIN PN10/16 D4 DIN PN25/40 D5 DIN PN64	P1 JPI class 150 P2 JPI class 300 P4 JPI class 600
Process connection size (Process flange size)	3 3-inch (80 mm) 2 2-inch (50 mm)	
Flange material	☆ A JIS S25C ☆ B JIS SUS304 ☆ C JIS SUS316	
Gasket contact surface ^{*1}	1 Serration (for ANSI flange with wetted parts material SW only) 2 Flat (no serration)	
Wetted parts material ^{*10}	SW JIS SUS316L # HW Hastelloy C-276 ^{*9} # TW Tantalum UW Titanium	[Diaphragm] [Others] JIS SUS316L # JIS SUS316L # Hastelloy C-276 ^{*9} # Hastelloy C-276 ^{*9} # Tantalum Tantalum Titanium Titanium (for 3-inch process flange only)
Flushing connection ring ^{*2}	☆ 0 None 1 Straight type 2 Straight type	[Ring] [Drain/Vent plugs] [Material] None — — Straight type R 1/4 connections JIS SUS316 # Straight type 1/4 NPT connections JIS SUS316 #
Extension	0	None
Fill fluid ^{*5}	☆ -A For general use (silicone oil) ^{*3} ☆ -B For general use (silicone oil) -C For high temperature use (silicone oil) ^{*4 *7} -D For oil-prohibited use (fluorinated oil) ^{*5} -E For low temperature use (ethylene glycol)	[Process temperature] [Ambient temperature] -10 to 250°C -10 to 60°C -30 to 180°C -15 to 60°C 10 to 310°C 10 to 60°C -20 to 120°C -10 to 60°C -50 to 100°C -40 to 60°C
Capillary connection	A	Side of diaphragm seal unit
—	2	Always 2
Capillary length ^{*6}	1 1 m 2 2 m 3 3 m 4 4 m 5 5 m	6 6 m 7 7 m 8 8 m 9 9 m A 10 m
Option codes		<input type="checkbox"/> Optional specification

T09E.EPS

The "☆" marks indicate the most typical selection for each specification. Example: EJX118A-DMS2G-912EN-WA13B1SW00-BA25/□

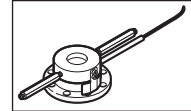
- *1: See table 3 'Gasket contact surface' on page 5.
- *2: When specified flushing connection ring code 1 or 2, exclusive gaskets are provided for transmitter side.
- *3: In case of wetted parts material code TW (Tantalum), the process temperature limit is -10 to 200°C.
- *4: Wetted parts material code TW (Tantalum) cannot be applied.
- *5: Even in case where fill fluid code D (fluorinated oil) is selected, if degrease cleansing treatment or both degrease cleansing and dehydrating treatment for the wetted parts is required, specify option code K1 or K5.
- *6: In case of wetted parts material code HW (Hastelloy C) and TW (Tantalum) for 2-inch process flange, specify capillary length from 1 to 5m.
- *7: Flushing connection ring code 1 or 2 cannot be applied.
- *8: Not applicable for gasket contact surface code 1.
- *9: Hastelloy C-276 or N10276.
- *10: ⚠Users must consider the characteristics of selected wetted parts material and influence of process fluids. Specifying inappropriate materials has the potential to cause serious damage to human body and plant facilities resulted from an unexpected leak of the corrosive process fluids.

The '#' marks indicate the construction materials conform to NACE material recommendations per MR01-75. For the use of 316 SST material, there may be certain limitations for pressure and temperature. Please refer to NACE standards for details.

II. Diaphragm seal section (Flush type)

● Process connection size: 1 1/2-inch (40 mm)

EJX118A-□□□□-□□□□-**W** **8** □□□□□□□□□□



F08E.EPS

Model	Suffix codes	Description
EJX118A	-□□□□□□-□□□□□□- W 8 □□□□□□□□□□	Transmitter body section (I)
Process connection style	-W	Flush type
Flange rating	J1 JIS 10K J2 JIS 20K J4 JIS 40K A1 ANSI class 150 A2 ANSI class 300 A4 ANSI class 600 P1 JPI class 150 P2 JPI class 300 P4 JPI class 600	
Process connection size (Process flange size)	8	1 1/2-inch (40 mm)
Flange material	☆ A JIS S25C ☆ B JIS SUS304 ☆ C JIS SUS316	
Gasket contact surface*1	1 Serration (for ANSI flange only) 2 Flat (no serration)	
Wetted parts material*5	SW [Diaphragm] JIS SUS316L # [Others] JIS SUS316 #	
Flushing connection ring*2	3 [Ring] Reducer type [Drain/Vent plugs] R 1/4 connections *4 [Material] JIS SUS316 # 4 [Ring] Reducer type [Drain/Vent plugs] 1/4 NPT connections [Material] JIS SUS316 #	
Extension	0	None
Fill fluid	☆ -A For general use (silicone oil) [Process temperature] -10 to 250°C [Ambient temperature] -10 to 60°C ☆ -B For general use (silicone oil) [Process temperature] -30 to 180°C [Ambient temperature] -15 to 60°C ☆ -D For oil-prohibited use (fluorinated oil)*3 [Process temperature] -20 to 120°C [Ambient temperature] -10 to 60°C ☆ -E For low temperature use (ethylene glycol) [Process temperature] -50 to 100°C [Ambient temperature] -40 to 60°C	
Capillary connection	A	Side of diaphragm seal unit
—	2	Always 2
Capillary length	1 1 m 2 2 m 3 3 m 4 4 m 5 5 m 6 6 m 7 7 m 8 8 m 9 9 m A 10 m	
Option codes		<input type="checkbox"/> Optional specification

T10E.EPS

The "☆" marks indicate the most typical selection for each specification. Example: EJX118A-DMS2G-912EN-WA18B1SW40-BA25/□

*1: See table 3 'Gasket contact surface' on page 5.

*2: When specified flushing connection ring code **3** or **4**, exclusive gaskets are provided for transmitter side.

*3: Even in case where fill fluid code **D** (fluorinated oil) is selected, if degrease cleansing treatment or both degrease cleansing and dehydrating treatment for the wetted parts is required, specify option code **K1** or **K5**.

*4: Not applicable for gasket contact surface code 1.

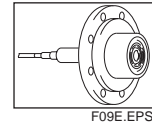
*5: ⚠ Users must consider the characteristics of selected wetted parts material and influence of process fluids. Specifying inappropriate materials has the potential to cause serious damage to human body and plant facilities resulted from an unexpected leak of the corrosive process fluids.

The '#' marks indicate the construction materials conform to NACE material recommendations per MR01-75. For the use of 316 SST material, there may be certain limitations for pressure and temperature. Please refer to NACE standards for details.

II. Diaphragm seal section (Extended type)

● Process connection size: 4-inch (100 mm) / 3-inch (80 mm)

EJX118A-□□□□-□□□□-E $\frac{4}{3}$ □□□□-□□□□



Model	Suffix codes	Description
EJX118A	-□□□□-□□□□	Transmitter body section (I)
Process connection style	-E	Extended type
Flange rating	J1 J2 A1 A2 P1 P2 D2 D4	JIS 10K JIS 20K ANSI class 150 ANSI class 300 JPI class 150 JPI class 300 DIN PN10/16 DIN PN25/40
Process connection size (Process flange size)	4 3	4-inch (100 mm) 3-inch (80 mm)
Flange material	☆ A B C	JIS S25C JIS SUS304 JIS SUS316
Gasket contact surface*1	1 2	Serration (for ANSI flange only) Flat (no serration)
Wetted parts material*4	SE	[Diaphragm] JIS SUS316L # [Pipe] JIS SUS316 # [Others] JIS SUS316 #
Flushing connection ring	0	None
Extension	2 4 6	Length (X ₂) = 50 mm Length (X ₂) = 100 mm Length (X ₂) = 150 mm
Fill fluid	☆ -A -B -C -D -E	For general use (silicone oil) [Process temperature] -10 to 250°C [Ambient temperature] -10 to 60°C For general use (silicone oil) -30 to 180°C -15 to 60°C For high temperature use (silicone oil) 10 to 310°C 10 to 60°C For oil-prohibited use (fluorinated oil)*2 -20 to 120°C -10 to 60°C For low temperature use (ethylene glycol) -50 to 100°C -40 to 60°C
Capillary connection	B	Back of diaphragm seal unit
—	2	Always 2
Capillary length*3	1 2 3 4 5 6 7 8 9 A	1 m 2 m 3 m 4 m 5 m 6 m 7 m 8 m 9 m 10 m
Option codes		/□ Optional specification

T11E.EPS

The "☆" marks indicate the most typical selection for each specification. Example: EJX118A-DMS2G-912EN-EA14B1SE04-BB25/□

*1: See table 3 'Gasket contact surface' on page 5.

*2: Even in case where fill fluid code D (fluorinated oil) is selected, if degrease cleansing treatment or both degrease cleansing and dehydrating treatment for the wetted parts is required, specify option code K1 or K5.

*3: The specified capillary length includes the extension length (X₂) and the flange thickness (t).

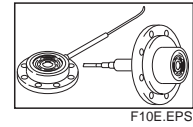
*4: ⚠ Users must consider the characteristics of selected wetted parts material and influence of process fluids. Specifying inappropriate materials has the potential to cause serious damage to human body and plant facilities resulted from an unexpected leak of the corrosive process fluids.

The '#' marks indicate the construction materials conform to NACE material recommendations per MR01-75. For the use of 316 SST material, there may be certain limitations for pressure and temperature. Please refer to NACE standards for details.

II. Diaphragm seal section (Combination type)

- Process connection size: High pressure side ; 4-inch (100 mm) ●●● Extended type
Low pressure side ; 3-inch (80 mm) ●●● Flush type

EJX118A-□□□□-□□□□-Y □W□□□□-□□□□



F10E.EPS

Model	Suffix codes	Description
EJX118A	-□□□□-□□□□	Transmitter body section (I)
Process connection style	-Y	Combination type (Extended and Flush)
Flange rating	J1 J2 A1 A2 P1 P2 D2 D4	JIS 10K JIS 20K ANSI class 150 ANSI class 300 JPI class 150 JPI class 300 DIN PN10/16 DIN PN25/40
Process connection size (Process flange size)	W	High pressure side 4-inch (100 mm) Low pressure side 3-inch (80 mm)
Flange material	☆ A B C	JIS S25C JIS SUS304 JIS SUS316
Gasket contact surface *1	1 2	Serration (for ANSI flange only) Flat (no serration)
Wetted parts material	SY	[Diaphragm] [Pipe] [Others] High pressure side: JIS SUS316L # JIS SUS316 # JIS SUS316 # Low pressure side: JIS SUS316L # — JIS SUS316L #
Flushing connection ring	0	None
Extension	1 3 5	Length (X ₂) = 50 mm Length (X ₂) = 100 mm Length (X ₂) = 150 mm
Fill fluid	☆ -A -B -C -D -E	[Process temperature] [Ambient temperature] For general use (silicone oil) -10 to 250°C -10 to 60°C For general use (silicone oil) -30 to 180°C -15 to 60°C For high temperature use (silicone oil) 10 to 310°C 10 to 60°C For oil-prohibited use (fluorinated oil)*2 -20 to 120°C -10 to 60°C For low temperature use (ethylene glycol) -50 to 100°C -40 to 60°C
Capillary connection	C	High pressure side: Back of diaphragm seal unit Low pressure side: Side of diaphragm seal unit
—	2	Always 2
Capillary length*3	1 2 3 4 5 6 7 8 9 A	1 m 2 m 3 m 4 m 5 m 6 m 7 m 8 m 9 m 10 m
Option codes		<input type="checkbox"/> Optional specification

T12E.EPS

The "☆" marks indicate the most typical selection for each specification. Example: EJX118A-DMS2G-912EN-YA1WB1SY04-BC25/□

*1: See table 3 'Gasket contact surface' on page 5.

*2: Even in case where fill fluid code D (fluorinated oil) is selected, if degrease cleansing treatment or both degrease cleansing and dehydrating treatment for the wetted parts is required, specify option code K1 or K5.

*3: The specified capillary length of high pressure side (extended side) includes the extension length (X₂) and the flange thickness (t).

The '#' marks indicate the construction materials conform to NACE material recommendations per MR01-75. For the use of 316 SST material, there may be certain limitations for pressure and temperature. Please refer to NACE standards for details.

OPTIONAL SPECIFICATIONS (For Explosion Protected type) “◇”

Item	Description	Code
Factory Mutual (FM)	FM Explosionproof Approval *1 Explosionproof for Class I, Division 1, Groups B, C and D Dust-ignitionproof for Class II/III, Division 1, Groups E, F and G in Hazardous locations, indoors and outdoors (NEMA 4X) Temperature class: T6, Amb. Temp.: -40 to 60°C (-40 to 140°F)	FF1
	FM Intrinsically safe Approval *1*3 Intrinsically Safe for Class I, Division 1, Groups A, B, C & D, Class II, Division 1, Groups E, F & G and Class III, Division 1, Class I, Zone 0, in Hazardous Locations, AEx ia IIC Nonincendive for Class I, Division 2, Groups A, B, C & D, Class II, Division 2, Groups F & G, and Class III, Division 1, Class I, Zone 2, Group IIC, in Hazardous Locations Enclosure: "NEMA 4X", Temp. Class: T4, Amb. Temp.: -60 to 60°C (-75 to 140°F) Intrinsically Safe Apparatus Parameters [Groups A, B, C, D, E, F and G] Vmax=30 V, Imax=200 mA, Pmax=1 W, Ci=6 nF, Li=0 μH [Groups C, D, E, F and G] Vmax=30 V, Imax=225 mA, Pmax=1 W, Ci=6 nF, Li=0 μH	FS1
	Combined FF1 and FS1 *1*3	FU1
CENELEC ATEX	CENELEC ATEX (KEMA) Flameproof Approval *1 II 2G, 1D EExd IIC T4, T5, T6 Amb. Temp. (Tamb) for gas-proof: T4: -50 to 75°C (-58 to 167°F), T5: -50 to 80°C (-58 to 176°F), T6: -50 to 70°C (-58 to 158°F) Max. process Temp.(Tp): T4: 120°C (248°F), T5: 100°C (212°F), T6: 85°C (185°F) Max. surface Temp. for dust-proof: T80°C (Tamb: -40 to 40°C, Tp:80°C), T100°C (Tamb: -40 to 60°C, Tp:100°C), T120°C (Tamb: -40 to 80°C, Tp:120°C) Type of protection: IP66 and IP67	KF2
	CENELEC ATEX (KEMA) Intrinsically safe Approval *1*3 II 1G, 1D EEx ia IIC T4 Amb. Temp.(Tamb) for gas-proof: -50 to 60°C (-58 to 140°F) Maximum Process Temp.(Tp) for gas-proof: 120°C Electrical data: Ui=30 V, li=200 mA, Pi=0.9 W, Ci=10 nF, Li=0 mH Max. surface Temp. for dust-proof: T85°C (Tamb: -40 to 60°C, Tp:80°C), T100°C (Tamb: -40 to 60°C, Tp:100°C), T120°C (Tamb: -40 to 60°C, Tp:120°C) Type of protection: IP66 and IP67	KS2
	Combined KF2, KS2 and Type n *1*3 Type n: II 3G EEx nL IIC T4, Amb. Temp.: -50 to 60°C (-50 to 140°F) Ui=30 V DC, Ci=10 nF, Li=0 mH	KU2
Canadian Standards Association (CSA)	CSA Explosionproof Approval *2 [For CSA C22.2] Explosion-proof for Class I, Groups B, C and D. Dustignition-proof for Class II/III, Groups E, F and G. When installed in Division 2, "SEAL NOT REQUIRED" Enclosure: TYPE 4X, Temp. Code: T6...T4 [For CSA E60079] Flameproof for Zone 1, Ex d IIC T6...T4 Enclosure: IP66 and IP67 Max.Process Temp.: T4:120°C(248°F), T5:100°C(212 °F), T6: 85°C(185°F) Amb.Temp.: -50 to 75°C(-58 to 167°F) for T4, -50 to 80°C(-58 to 176°F) for T5, -50 to 70°C(-58 to 158°F) for T6	CF1
	CSA Intrinsically safe Approval *2*3 [For CSA C22.2] Intrinsically Safe for Class I, Division 1, Groups A, B, C & D, Class II, Division 1, Groups E, F & G, Class III, Division 1 Nonincendive for Class I, Division 2, Groups A, B, C & D, Class II, Division 2, Groups E, F & G, Class III, Division 1 Enclosure: Type 4X, Temp. Code: T4 Amb. Temp.: -50 to 60°C(-58 to 140°F) Electrical Parameters: [Intrinsically Safe] Vmax=30V, Imax=200mA, Pmax=0.9W, Ci=10nF, Li=0 [Nonincendive] Vmax=30V, Ci=10nF, Li=0 [For CSA E60079] Ex ia IIC T4, Ex nL IIC T4 Amb. Temp.: -50 to 60°C(-58 to 140°F), Max. Process Temp.: 120°C(248°F) Enclosure: IP66 and IP67 Electrical Parameters: [Ex ia] Ui=30V, li=200mA, Pi=0.9W, Ci=10nF, Li=0 [Ex nL] Ui=30V, Ci=10nF, Li=0	CS1
	Combined CF1 and CS1 *2*3	CU1

T13E.EPS

- *1: Applicable for electrical connection code **2, 4, 7, and 9.**
- *2: Applicable for electrical connection code **2 and 7.**
- *3: Not applicable for option code /AL.

OPTIONAL SPECIFICATIONS

Item		Description	Code	
Painting	Color change	Amplifier cover only	P □	
		Amplifier cover and terminal cover, Munsell 7.5 R4/14	PR	
	Coating change	Anti-corrosion coating*1	X2	
Lightning protector	Transmitter power supply voltage: 10.5 to 32 V DC (10.5 to 30 V DC for intrinsically safe type.) Allowable current: Max. 6000 A (1×40 μs), Repeating 1000 A (1×40 μs) 100 times Applicable Standards: IEC 61000-4-4, IEC 61000-4-5		A	
Status output *12	Transistor output (sink type) Contact rating: 10.5 to 30 V DC, 120 mA DC (max) Low level: 0 to 2 V DC		AL	
Oil-prohibited use	Degrease cleansing treatment		K1	
Oil-prohibited use with dehydrating treatment	Degrease cleansing treatment and dehydrating treatment		K5	
Calibration units *3	P calibration (psi unit)	(See table for Span and Range Limits.)	D1	
	bar calibration (bar unit)		D3	
	M calibration (kgf/cm ² unit)		D4	
Teflon film *2 *11	Diaphragm protection from sticky process fluid by FEP Teflon film attached with fluorinated oil. Operation range: 20 to 150°C, 0 to 2 MPa (Not applicable for vacuum service).		TF1	
Operating temperature correction *5	Adjusting range : 80°C to Maximum temperature of specified fill fluid		R	
Capillary without PVC sheaths	When ambient temperature exceeds 100°C, or use of PVC is prohibited		V	
Output limits and failure operation *4	Failure alarm down-scale : Output status at CPU failure and hardware error is -5%, 3.2 mA DC or less.		C1	
	NAMUR NE43 Compliant Output signal limits : 3.8 mA to 20.5 mA	Failure alarm down-scale : Output status at CPU failure and hardware error is -5%, 3.2 mA DC or less.	C2	
		Failure alarm up-scale : Output status at CPU failure and hardware error is 110%, 21.6 mA or more.	C3	
Gold-plate *6	Inside of isolating diaphragms (fill fluid side) are gold plated, effective for hydrogen permeation.		A1	
Stainless steel tag plate	304SST tag plate wired onto transmitter		N4	
Data configuration at factory *7	Data configuration for HART communication type	Software damping, Descriptor, Message	CA	
	Data configuration for BRAIN communication type	Software damping	CB	
Material certificate	Process flange, Block	For Flush type	M2W	
	Process flange, Block, Ring *8		M5W	
	Process flange, Block, Pipe, Base	For Extended type	M2E	
	High Pressure side: Process flange, Block Low Pressure side: Process flange, Block	For Combination type	M2Y	
Pressure test/Leak test Certificate *13	(Flange rating)	(Test pressure)	Nitrogen (N ₂) Gas *10 Retention time: one minute	
	JIS 10K	2 MPa (290 psi)		T51
	JIS 20K	5 MPa (720 psi)		T54
	JIS 40K *2	10 MPa (1450 psi)		T57
	ANSI/JPI Class 150	3 MPa (430 psi)		T52
	ANSI/JPI Class 300 *2	8 MPa (1160 psi)		T56
	ANSI/JPI Class 300 *9	7 MPa (1000 psi)		T55
	ANSI/JPI Class 600 *2	16 MPa (2300 psi)		T58

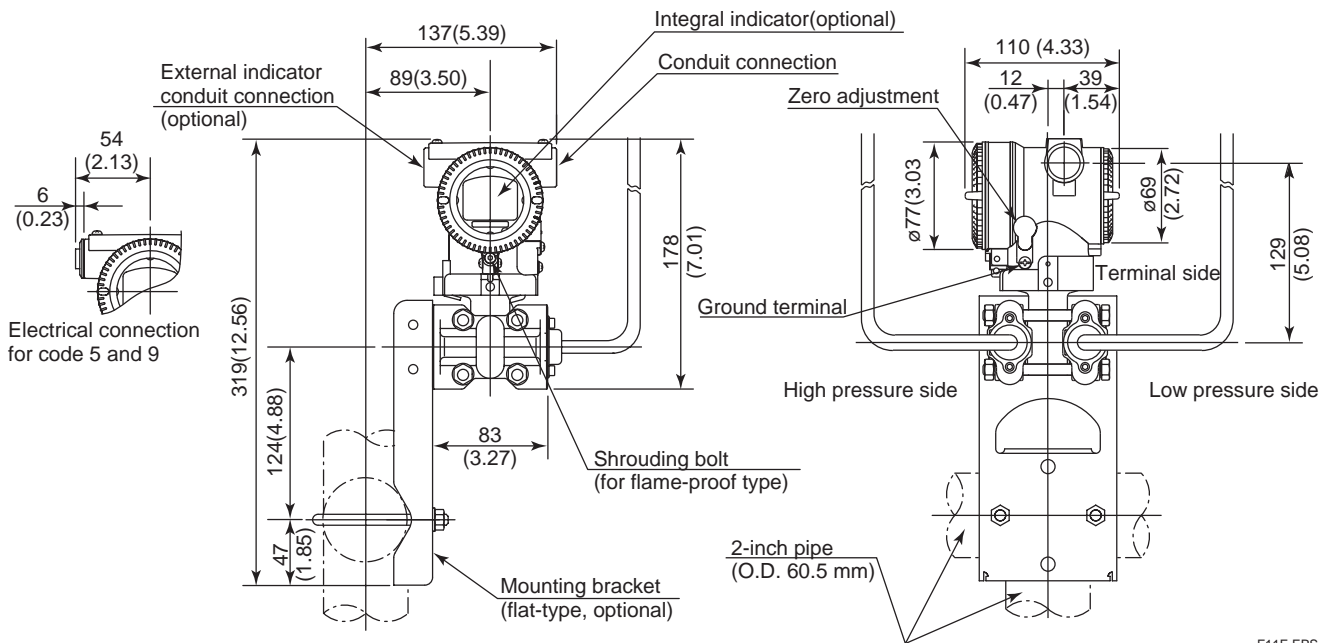
T14E.EPS

- *1: Not applicable with color change option.
- *2: Applicable for flush type (process connection style code **W**.)
- *3: The unit of MWP (Max. working pressure) on the name plate of a housing is the same unit as specified by option code **D1**, **D3**, and **D4**.
- *4: Applicable for output signal code **D** and **E**. The hardware error indicates faulty amplifier or capsule.
- *5: Specify the process operating temperature for zero correction. Example: Zero correction by process temperature 90°C.
- *6: Applicable for wetted parts material code **SW**, **SE**, **SY**, and **HW**.
- *7: Also see 'Ordering Information.'
- *8: Applicable for flushing connection ring code **1**, **2**, **3**, and **4**.
- *9: Applicable for extended type and Combination type (process connection style code **E** and **Y**.)
- *10: Pure nitrogen gas is used for oil-prohibited use (option code **K1** and **K5**.)
- *11: Applicable for flushing connection ring code **0**.
- *12: Check terminals cannot be used when this option is specified. Not applicable for output signal code **F**.
- *13: The unit on the certificate is always MPa regardless of selection of option code **D1**, **D3**, or **D4**.

DIMENSIONS

Transmitter body section

Unit: mm (Approx.: inch)



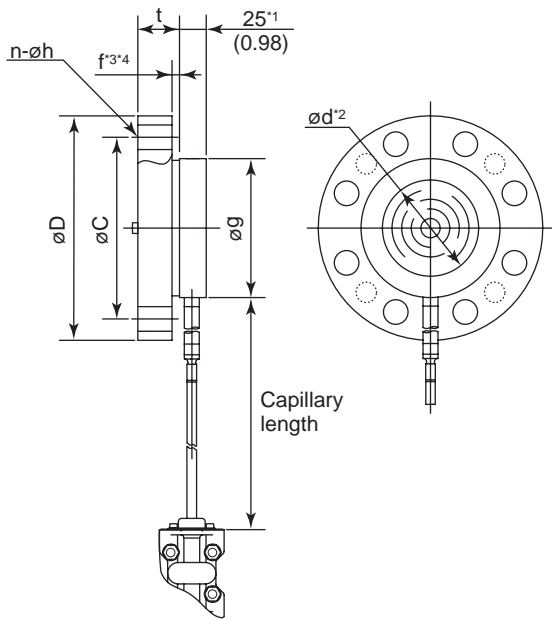
F11E.EPS

<Diaphragm seal section>

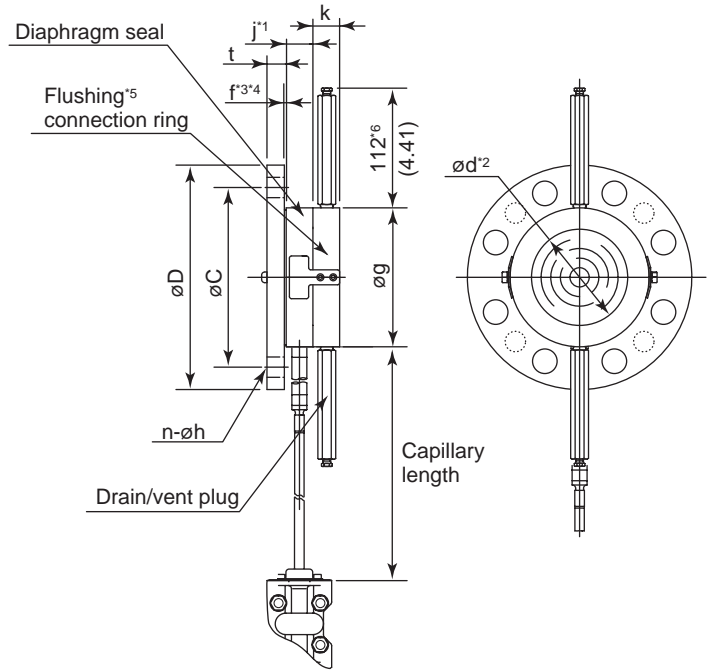
● Flush type

Unit: mm (Approx.: inch)

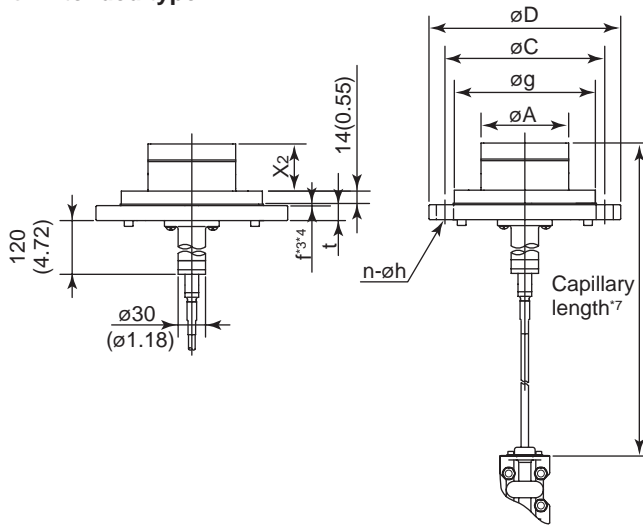
- No ring (Flushing connection ring code 0)



- With ring (Flushing connection ring code 1, 2, 3, and 4)



● Extended type

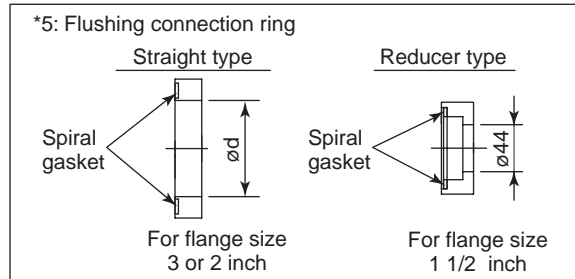


*1: When wetted parts material code **UW** (titanium), value is 34 (1.34)

*2: Indicates inside diameter of gasket contact surface

*3: In case where process flange material is JIS S25C, value of f is 0.

*4: In case where process flange material is JIS SUS304 in ANSI/JPI flange, value of f is included in t.



*5: Flushing connection ring

*6: When option code **K1** or **K5** is selected, add 11 mm (0.28 inch.)

*7: The specified capillary length includes the extension length (X₂) and the flange thickness (t).

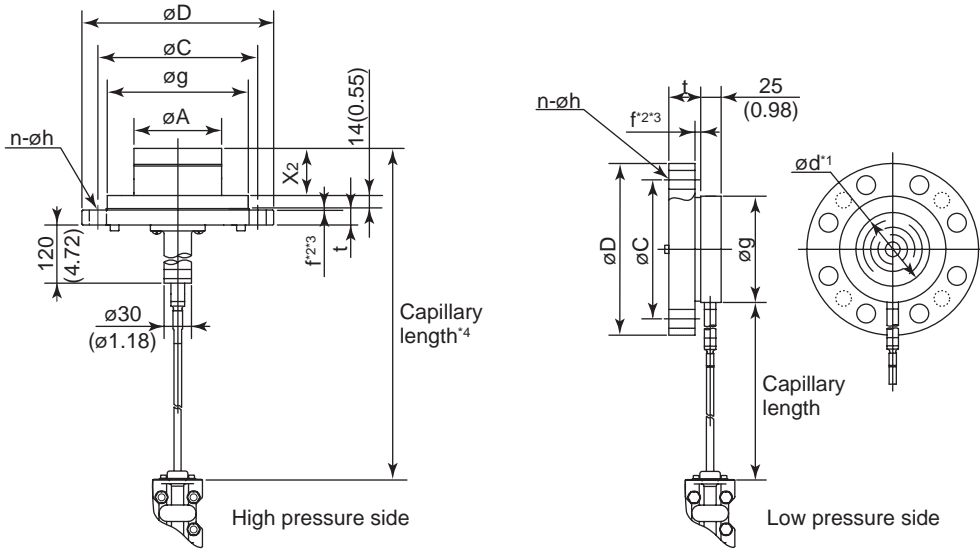
F12E.EPS

● Extension length (X₂)

Extension code	X ₂
2	50(1.97)
4	100(3.94)
6	150(5.91)

T15E.EPS

● Combination type



F13E.EPS

*1: Indicates inside diameter of gasket contact surface.

*2: In case where process flange material is JIS S25C, value of f is 0.

*3: In case where process flange material is JIS SUS304 in ANSI/JPI flange, value of f is included in t.

*4: The specified capillary length includes the extension length (X_2) and the flange thickness (t).

● Extension length (X_2)

Extension code	X_2
1	50(1.97)
3	100(3.94)
5	150(5.91)

T16E.EPS

Unit: mm (Approx.: inch)

Process flange size: 4 inch (100 mm)

Code	Flange rating	øD	øC	øg	ød	t	f ^{3*4}	Bolt holes		j	k	øA
								No.(n)	Dia.(øh)			
J1	JIS 10K	210 (8.27)	175 (6.89)	155 (6.10)	—	18 (0.71)	0	8	19 (0.75)	—	—	96±0.5 (3.78±0.02)
J2	JIS 20K	225 (8.86)	185 (7.28)	155 (6.10)	—	24 (0.94)	0	8	23 (0.91)	—	—	96±0.5 (3.78±0.02)
A1	ANSI class 150	228.6 (9.00)	190.5 (7.50)	155 (6.10)	—	23.9 (0.94)	1.6 (0.06)	8	19.1 (0.75)	—	—	96±0.5 (3.78±0.02)
A2	ANSI class 300	254 (10.00)	200.2 (7.88)	155 (6.10)	—	31.8 (1.25)	1.6 (0.06)	8	22.4 (0.88)	—	—	96±0.5 (3.78±0.02)
P1	JPI class 150	229 (9.02)	190.5 (7.50)	155 (6.10)	—	24 (0.94)	1.6 (0.06)	8	19 (0.75)	—	—	96±0.5 (3.78±0.02)
P2	JPI class 300	254 (10.0)	200.2 (7.88)	155 (6.10)	—	32 (1.26)	1.6 (0.06)	8	22 (0.87)	—	—	96±0.5 (3.78±0.02)
D2	DIN PN10/16	220 (8.66)	180 (7.09)	155 (6.10)	—	20 (0.79)	0	8	18 (0.71)	—	—	96±0.5 (3.78±0.02)
D4	DIN PN25/40	235 (9.25)	190 (7.48)	155 (6.10)	—	24 (0.94)	0	8	22 (0.87)	—	—	96±0.5 (3.78±0.02)

Process flange size: 3 inch (80 mm)

Code	Flange rating	øD	øC	øg	ød ²	t	f ^{3*4}	Bolt holes		j ¹	k	øA
								No.(n)	Dia.(øh)			
J1	JIS 10K	185 (7.28)	150 (5.91)	130 (5.12)	90 (3.54)	18 (0.71)	0	8	19 (0.75)	25 (0.98)	27 (1.06)	71±0.5 (2.8±0.02)
J2	JIS 20K	200 (7.87)	160 (6.30)	130 (5.12)	90 (3.54)	22 (0.87)	0	8	23 (0.91)	25 (0.98)	27 (1.06)	71±0.5 (2.8±0.02)
J4	JIS 40K	210 (8.27)	170 (6.69)	130 (5.12)	90 (3.54)	32 (1.26)	0	8	23 (0.91)	25 (0.98)	27 (1.06)	—
A1	ANSI class 150	190.5 (7.50)	152.4 (6.00)	130 (5.12)	90 (3.54)	23.9 (0.94)	1.6 (0.06)	4	19.1 (0.75)	25 (0.98)	27 (1.06)	71±0.5 (2.8±0.02)
A2	ANSI class 300	209.6 (8.25)	168.1 (6.62)	130 (5.12)	90 (3.54)	28.5 (1.12)	1.6 (0.06)	8	22.4 (0.88)	25 (0.98)	27 (1.06)	71±0.5 (2.8±0.02)
A4	ANSI class 600	209.6 (8.25)	168.1 (6.62)	130 (5.12)	90 (3.54)	38.2 (1.50)	6.4 (0.25)	8	22.4 (0.88)	25 (0.98)	27 (1.06)	—
P1	JPI class 150	190 (7.48)	152.4 (6.00)	130 (5.12)	90 (3.54)	24 (0.94)	1.6 (0.06)	4	19 (0.75)	25 (0.98)	27 (1.06)	71±0.5 (2.8±0.02)
P2	JPI class 300	210 (8.27)	168.1 (6.61)	130 (5.12)	90 (3.54)	28.5 (1.12)	1.6 (0.06)	8	22 (0.87)	25 (0.98)	27 (1.06)	71±0.5 (2.8±0.02)
P4	JPI class 600	210 (8.27)	168.1 (6.61)	130 (5.12)	90 (3.54)	38.4 (1.51)	6.4 (0.25)	8	22 (0.87)	25 (0.98)	27 (1.06)	—
D2	DIN PN10/16	200 (7.87)	160 (6.30)	130 (5.12)	90 (3.54)	20 (0.79)	0	8	18 (0.71)	25 (0.98)	27 (1.06)	71±0.5 (2.8±0.02)
D4	DIN PN25/40	200 (7.87)	160 (6.30)	130 (5.12)	90 (3.54)	24 (0.94)	0	8	18 (0.71)	25 (0.98)	27 (1.06)	71±0.5 (2.8±0.02)
D5	DIN PN64	215 (8.46)	170 (6.69)	130 (5.12)	90 (3.54)	28 (1.10)	0	8	22 (0.87)	25 (0.98)	27 (1.06)	—

Process flange size: 2 inch (50 mm)

Code	Flange rating	øD	øC	øg	ød ²	t	f ^{3*4}	Bolt holes		j	k
								No.(n)	Dia.(øh)		
J1	JIS 10K	155 (6.10)	120 (4.72)	100 (3.94)	61 (2.40)	16 (0.63)	0	4	19 (0.75)	25 (0.98)	27 (1.06)
J2	JIS 20K	155 (6.10)	120 (4.72)	100 (3.94)	61 (2.40)	18 (0.71)	0	8	19 (0.75)	25 (0.98)	27 (1.06)
J4	JIS 40K	165 (6.50)	130 (5.12)	100 (3.94)	61 (2.40)	26 (1.02)	0	8	19 (0.75)	25 (0.98)	27 (1.06)
A1	ANSI class 150	152.4 (6.00)	120.7 (4.75)	100 (3.94)	61 (2.40)	19.1 (0.75)	1.6 (0.06)	4	19.1 (0.75)	25 (0.98)	27 (1.06)
A2	ANSI class 300	165.1 (6.50)	127.0 (5.00)	100 (3.94)	61 (2.40)	22.4 (0.88)	1.6 (0.06)	8	19.1 (0.75)	25 (0.98)	27 (1.06)
A4	ANSI class 600	165.1 (6.50)	127.0 (5.00)	100 (3.94)	61 (2.40)	31.8 (1.25)	6.4 (0.25)	8	19.1 (0.75)	25 (0.98)	27 (1.06)
P1	JPI class 150	152 (5.98)	120.6 (4.75)	100 (3.94)	61 (2.40)	19.5 (0.77)	1.6 (0.06)	4	19 (0.75)	25 (0.98)	27 (1.06)
P2	JPI class 300	165 (6.50)	127.0 (5.00)	100 (3.94)	61 (2.40)	22.4 (0.88)	1.6 (0.06)	8	19 (0.75)	25 (0.98)	27 (1.06)
P4	JPI class 600	165 (6.50)	127.0 (5.00)	100 (3.94)	61 (2.40)	31.9 (1.26)	6.4 (0.25)	8	19 (0.75)	25 (0.98)	27 (1.06)
D2	DIN PN10/16	165 (6.50)	125 (4.92)	100 (3.94)	61 (2.40)	18 (0.71)	0	4	18 (0.71)	25 (0.98)	27 (1.06)
D4	DIN PN25/40	165 (6.50)	125 (4.92)	100 (3.94)	61 (2.40)	20 (0.79)	0	4	18 (0.71)	25 (0.98)	27 (1.06)
D5	DIN PN64	180 (7.09)	135 (5.31)	100 (3.94)	61 (2.40)	26 (1.02)	0	4	22 (0.87)	25 (0.98)	27 (1.06)

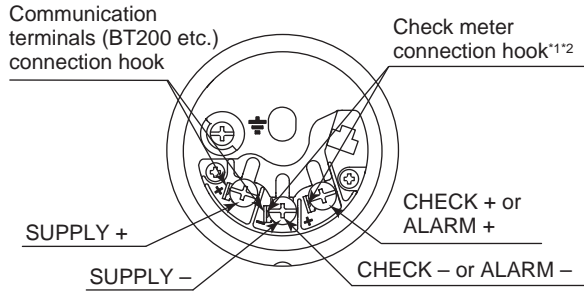
Process flange size: 1 1/2 inch (40 mm)

Code	Flange rating	øD	øC	øg	ød ²	t	f ^{3*4}	Bolt holes		j	k
								No.(n)	Dia.(øh)		
J1	JIS 10K	140 (5.51)	105 (4.13)	86 (3.39)	44 (1.73)	16 (0.63)	0	4	19 (0.75)	27 (1.06)	30 (1.18)
J2	JIS 20K	140 (5.51)	105 (4.13)	86 (3.39)	44 (1.73)	18 (0.71)	0	4	19 (0.75)	27 (1.06)	30 (1.18)
J4	JIS 40K	160 (6.30)	120 (4.72)	86 (3.39)	44 (1.73)	24 (0.94)	0	4	23 (0.91)	27 (1.06)	30 (1.18)
A1	ANSI class 150	127 (5.00)	98.6 (3.88)	86 (3.39)	44 (1.73)	17.5 (0.69)	1.6 (0.06)	4	15.9 (0.63)	27 (1.06)	30 (1.18)
A2	ANSI class 300	155.4 (6.12)	114.3 (4.50)	86 (3.39)	44 (1.73)	20.6 (0.81)	1.6 (0.06)	4	22.4 (0.88)	27 (1.06)	30 (1.18)
A4	ANSI class 600	155.4 (6.12)	114.3 (4.50)	86 (3.39)	44 (1.73)	28.8 (1.13)	6.4 (0.25)	4	22.4 (0.88)	27 (1.06)	30 (1.18)
P1	JPI class 150	127 (5.00)	98.6 (3.88)	86 (3.39)	44 (1.73)	17.6 (0.69)	1.6 (0.06)	4	16 (0.63)	27 (1.06)	30 (1.18)
P2	JPI class 300	155 (6.10)	114.3 (4.50)	86 (3.39)	44 (1.73)	20.6 (0.81)	1.6 (0.06)	4	22 (0.87)	27 (1.06)	30 (1.18)
P4	JPI class 600	155 (6.10)	114.3 (4.50)	86 (3.39)	44 (1.73)	28.9 (1.14)	6.4 (0.25)	4	22 (0.87)	27 (1.06)	30 (1.18)

- *1: When wetted parts material code **UW** (titanium) is selected, value is 34 (1.34).
- *2: Indicates inside diameter of gasket contact surface.
- *3: In case where process flange material is JIS S25C, value of f is 0.
- *4: In case where process flange material is JIS SUS304 in ANSI/JPI flange, value of f is included in t.

T17E.EPS

● Terminal Configuration



● Terminal Wiring

SUPPLY	+ -	Power supply and output terminal
CHECK or ALARM	+ -	External indicator (ammeter) terminal ^{*1,2} or Status contact output terminal ² (when /AL is specified)
		Ground terminal

*1: When using an external indicator or check meter, the internal resistance must be 10 Ω or less. A check meter or indicator cannot be connected when /AL option is specified.

*2: Not available for fieldbus communication type.

F14E.EPS

● Wiring Example for Analog Output and Status Output

Connection	Description
Analog output	<p>EJX Electrical Terminal</p> <p>Distributor</p> <p>24V DC</p> <p>250Ω</p>
Analog and Status output (when /AL is specified)	<p>EJX Electrical terminal</p> <p>Shielded Cable</p> <p>SUPPLY +</p> <p>CHECK +</p> <p>ALARM +</p> <p>24V DC</p> <p>250Ω</p> <p>Distributor</p> <p>External Power supply 30V DC, 120mA max</p> <p>AC power supply</p> <p>Magnetic valve</p> <p>Use two-wire separately shielded cables.</p>

F15E.EPS

< Ordering Information >

Specify the following when ordering

1. Model, suffix codes, and option codes
2. Calibration range and units:
 - 1) Calibration range can be specified with range value specifications up to 5 digits (excluding any decimal point) for low or high range limits within the range of -32000 to 32000. When reverse range is designated, specify LRV as greater than URV.
 - 2) Specify only one unit from the table, 'Factory setting.'
3. Select linear or square root for output mode and display mode.

Note: If not specified, the instrument is shipped set for linear mode.
4. Display scale and units (for transmitters equipped with the integral indicator only)

Specify either 0 to 100 % or 'Range and Unit' for engineering units scale:
 Scale range can be specified with range limit specifications up to 5 digits (excluding any decimal point) for low or high range limits within the range of -32000 to 32000. Unit display consists of 6-digit, therefore, if the specified scaling unit excluding '/' is longer than 6-characters, the first 6 characters will be displayed on the unit display.
5. Tag Number (if required).

For BRAIN communication type, specify upto 16 letters. The specified letters will be written in the amplifier memory and engraved on the tag plate.
 For HART communication type, specify software tag (upto 8 letters) to be written on the amplifier memory and Tag number(upto 16 letters) to be engraved on the tag plate seperately.
6. Other factory configurations (if required)

Specifying option code /CA or /CB will allow further configuration at factory. Following are configurable items and setting range.

[/CA : For HART communication type]

 - 1) Descriptor(upto 16 characters)
 - 2) Message (upto 30 characters)
 - 3) Software damping (0.00 to 100.00 sec)

[/CB : For BRAIN communication type]

 - 1) Software damping (0.00 to 100.00 sec)
7. Process fluid temperature for zero compensation (if required)

< Factory Setting >

Tag Number	As specified in order
Software damping *1	'2.00 sec' or as specified in order
Output mode	'Linear' unless otherwise specified in order
Calibration range lower range value	As specified in order
Calibration range upper range value	As specified in order
Calibration range units	Selected from mmH ₂ O, mmH ₂ O(68°F), mmAq ² , mmWG ² , mmHg, Pa, hPa ² , kPa, MPa, mbar, bar, gf/cm ² , kgf/cm ² , inH ₂ O, inH ₂ O(68°F), inHg, ftH ₂ O, ftH ₂ O(68°F) or psi. (Only one unit can be specified)
Display setting	Designated differential pressure value specified in order. (% or user scaled value.) Display mode 'Linear' or 'Square root' is also as specified in order.
Static pressure display range	'0 to 25 MPa' for M and H capsule, absolute value. Measuring low pressure side.

T18E.EPS

- *1: To specify these items at factory, /CA or /CB option is required.
- *2: Not available for HART protocol type.